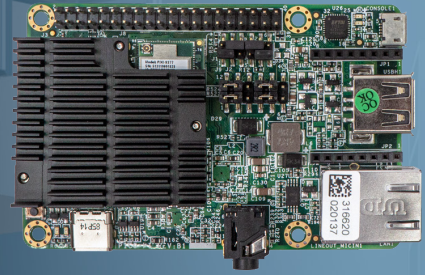


PICO-PI-IMX6

- NXP i.MX6 Solo/DualLite/Quad applications processor
- Performance scalable Cortex-A9 processor
- Built-in powerful GPU capable for dual-display applications at Full-HD resolutions
- Linux Mainline Support



Core System

Processor	NXP i.MX6 Duallite NXP i.MX6 Quad
Architecture	ARM Cortex-A9
Memory	Up to 1GB DDR3L
Storage	16GB eMMC (default)
Board-to-Board Connector	PICO 70-pin Hirose connectors
System on Module	PICO SOM
Debug Interface	Micro USB debug

AI / Vision Capabilities

Camera	MIPI CSI (4 lanes)
--------	--------------------

Connectivity

Network LAN	1x Atheros AR8035
Wi-Fi	Qualcomm Atheros QCA9377 Wi-Fi 5 – 802.11 a/b/g/n/ac
Bluetooth	Qualcomm Atheros QCA9377 Bluetooth
Antenna	MHF4 connector

Signaling

I/O	RS232 RGB TTL LAN MIPI CSI MIPI DSI USB USB OTG I ² S UART SPI I ² C PWM GPIO
-----	---

Video

GPU Engine	Vivante GC880 (DualLite) Vivante GC2000 (Quad) Vivante GC320 (2D Composition) Vivante GC355 (Quad)
Video Decode	1080p30 + D1 (DualLite) 1080p60 H.264 (Quad)
Video Encode	1080p30 H.264 BP/Dual 720p

Audio

Audio Codec	NXP SGTL5000
Audio Interface	I ² S (2 channel)
Audio Connectors	CTIA compliant 3.5mm audio jack

Power Specifications

Power Input	5V over USB Type C
Power Consumption	Depending on Configuration
Power Connector	USB OTG (Type-C)

Operation Systems

Standard Support	Linux Yocto Android Ubuntu
Extended Support	Commercial Linux

Environmental and Mechanical

Dimensions	85 (W) x 56 (H) x 24.4 (D) mm
Weight	47 grams
Form Factor	PICO
Relative Humidity	10 to 90 %
MTBF	100,000+ Hours
Shock	15G half-sine 11 ms duration
Operating Temperature	Commercial: 0° to +60° C
Vibration	1 Grms random 5-500Hz hr/axis

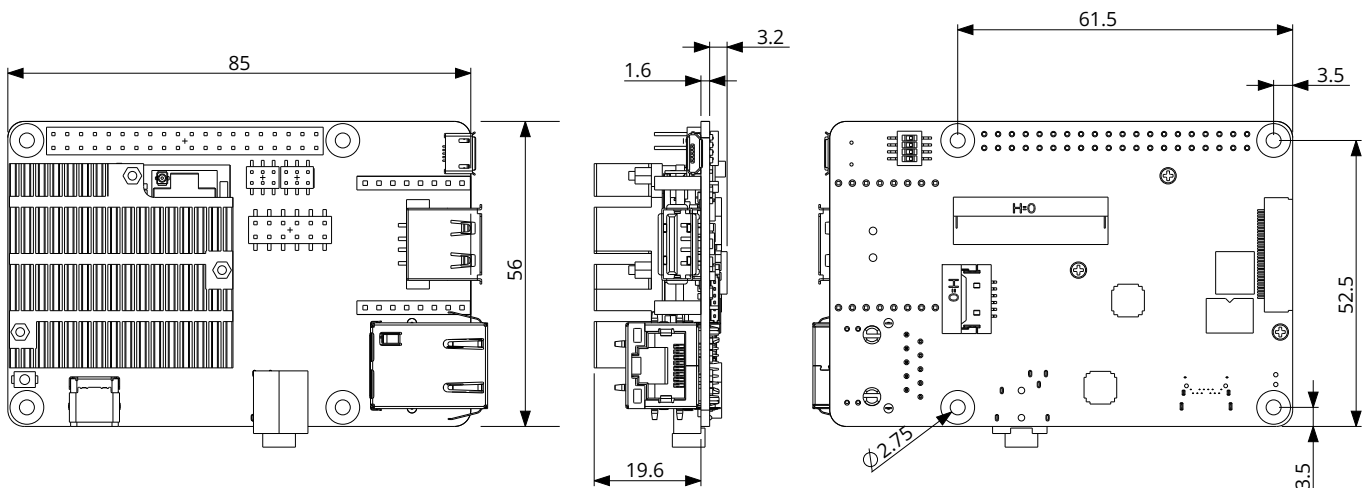
External Connectors

Network	1x RJ45
USB	1x USB 2.0 Host 1x USB 2.0 OTG (Type-C)
Buttons	1x Reset

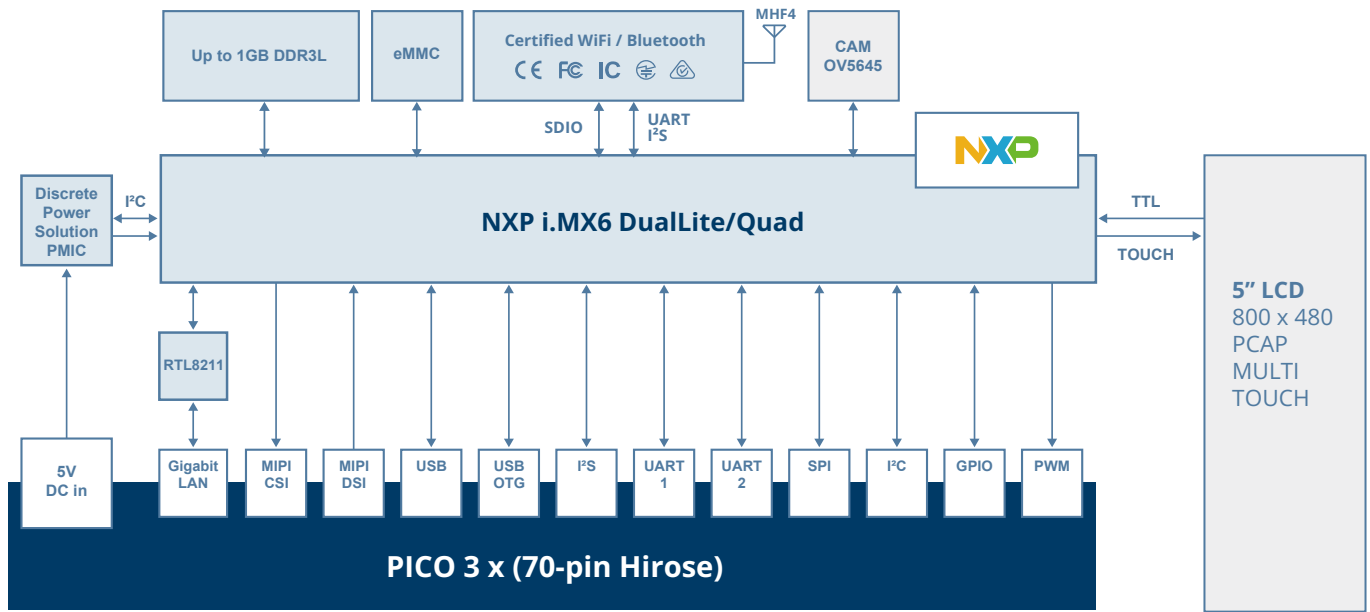
Certification and Compliance

USA	FCC ID: 2AKZA-QCA9377
Canada	IC: 22364-QCA9377
European Union	EN 300 328 v2.2.2 EN 301 893 v2.1.1 EN 55032 / EN 55024
Japan	TELEC: 201-180629
Australia / New Zealand	RCM Compliant
Bluetooth Logo	QDID 150839 (Bluetooth 4.2) QDID 193238 (Bluetooth 5)
Certification	Compliant with RoHS / REACH directives

Dimensions (units in mm)



Block Diagram



Order Information

PICO-PI-IMX6

Development Kit based around NXP i.MX6 applications processor including camera module, 5 inch PCAP display, antenna and cable set.

