

TC-0710

- TC-0710 is an ultra-efficient, low power, fanless HMI based on a Solo, DualLite, or Quad core ARM Cortex-A9 NXP i.MX6 processor.
- 7 inch Projective Capacitive (multitouch) high resolution (1024 x 600) bright (500 nits) widescreen LCD with LED backlight.
- Galvanic isolated CAN Bus and Serial (RS-232/422/485) ports.
- USB 2.0 Host, USB 2.0 OTG, microSD card slot, 4x GPIO (galvanic isolated) and HDMI for secondary display.
- PoE function 802.3at or 9-36V DC power input.
- Available with brushed aluminum bezel.



Specifications

Core System

Processor	NXP i.MX6 Solo NXP i.MX6 DualLite NXP i.MX6 Quad
Architecture	ARM Cortex-A9
PMIC	NXP MMPF0100
Memory	Up to 2GB DDR3
Storage	16GB eMMC

Connectivity

Network LAN	1x Realtek RTL8211F-CG Gigabit LAN
Power over Ethernet	PoE function 802.3at

Video

GPU Engine	Vivante GC2000 (Quad) Vivante GC320 (2D Composition) Vivante GC355 (Quad) Vivante GC880 (Solo/DualLite)
Video Decode	1080p30 + D1 (Solo/DualLite) 1080p60 H.264 (Quad)
Video Encode	1080p30 H.264 BP/Dual 720p

Audio

Audio Codec	NXP SGT5000
Speaker	Internal audio speaker connector (stereo) (2W pre-amplified)

Power Specifications

Power Input	9-36V DC
Power Connector	2-pin Micro-Fit 3.0
Power Consumption	Depending on Configuration

Operating Systems

Standard Support	Linux Yocto Android Ubuntu
Extended Support	Commercial Linux

Environmental and Mechanical

Enclosure Material	Metal
Front Bezel	Brushed Anodized Aluminium
IP Rating	IP65 Front
Dimensions	198.5(W)x136.3(H)x47.7(D) mm
Relative Humidity	10 to 90 %
MTBF	50,000 Hours
Shock	15G half-sine 11 ms duration
Operation Temperature	Commercial: 0° to +50°C
Vibration	1 Grms random 5-500Hz hr/axis
Weight	900 grams

Mounting Options

Rear Mounting	6 mounting clips required (included)
VESA Mounting	35*75 VESA MIS-C Standard (separate purchase)
Surface Mounting	8 mounting holes

Display

LCD	7 inch widescreen LCD with LED backlight
Resolution	1024 x 600 pixels
Luminance	500 cd/m ²
Maximum Colors	16.7 million
Touchscreen	Projective Capacitive (multitouch)

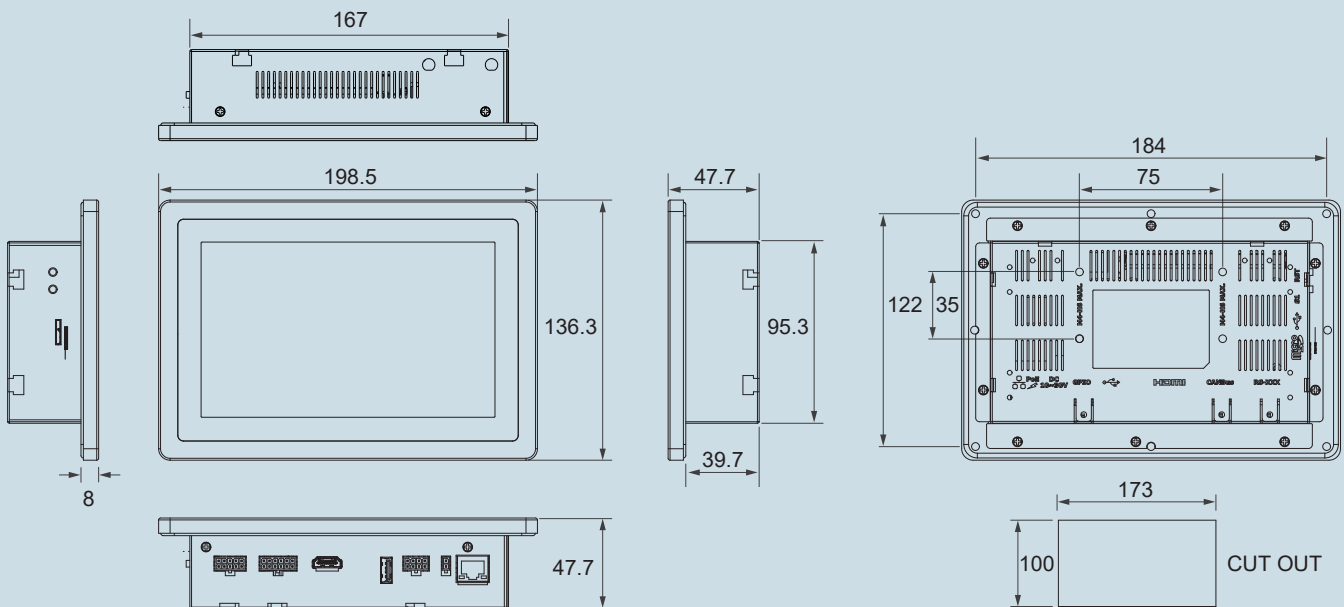
External Connectors

External Display	1x HDMI
Network	1 x RJ45
USB	1 x USB 2.0 Host 1 x USB 2.0 OTG
CAN Bus	2 x Flex CAN version 2.0B compliant (galvanic isolated)
Serial	1 x RS-232 (galvanic isolated) 1 x RS-232/422/485 (galvanic isolated)
GPIO	4 x GPIO (galvanic isolated)
Buttons	1 x Boot Select 1 x Reset
SIM Cardslot	1x Micro-SIM cardslot
SD Cardslot	1 x MicroSD Card slot

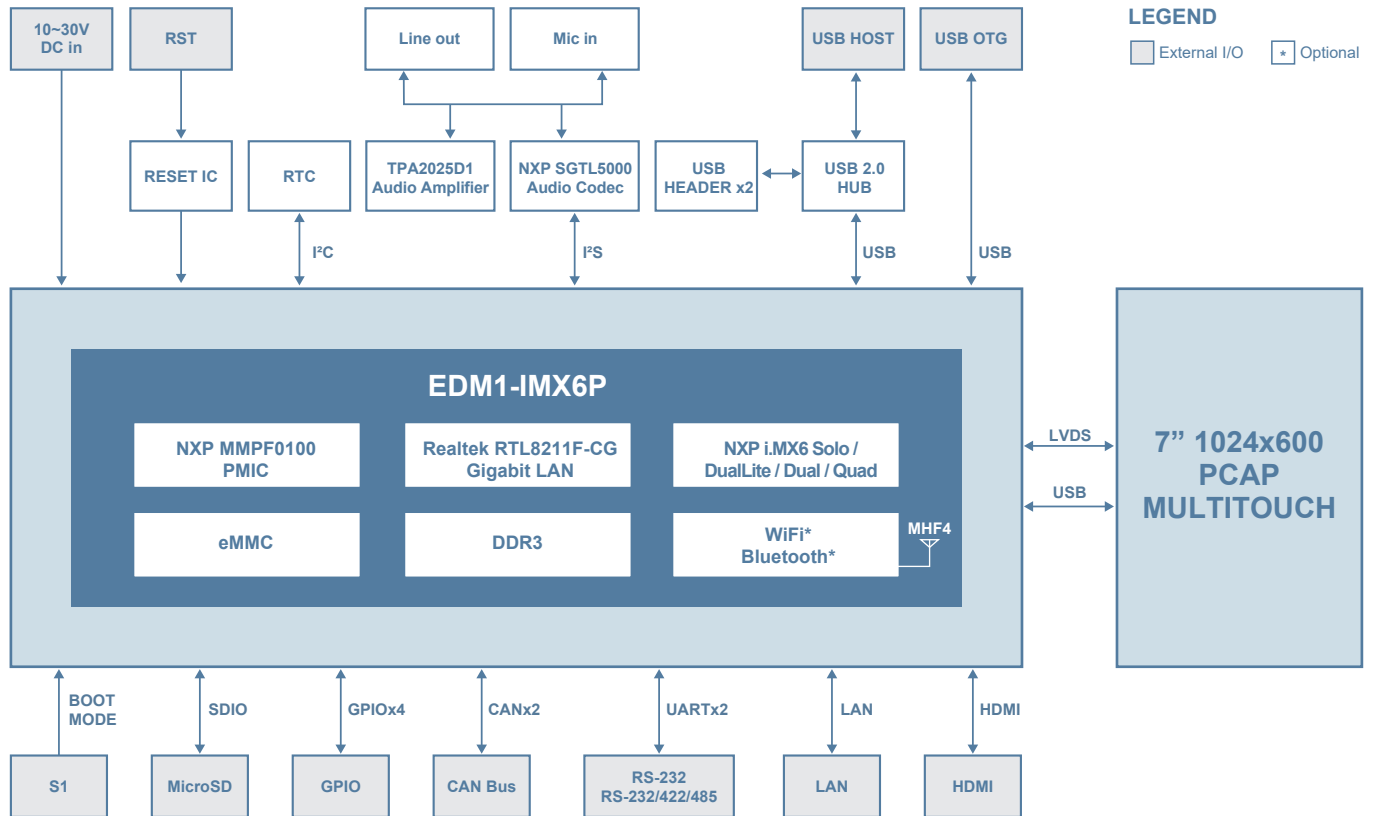
Certification and Compliance

Certification	Compliant with CE / FCC / RoHS / REACH directives
---------------	---

Dimensions (units in mm)



Block Diagram



Order Information

TC0710-P-IMX6x-Rxx-Exx-xxxx-xxxx

	Code	Description
Processor	IMX6S	NXP i.MX6 Solo
	IMX6U	NXP i.MX6 DualLite
	IMX6Q	NXP i.MX6 Quad
Memory	R05	512MHz DDR3
	R10	1GB DDR3
	R20	2GB DDR3
Storage	E04	eMMC capacity E04 = 4GB / E16 = 16GB / E32 = 32GB / E64 = 64GB
	XXXX	Custom Part number ID for customized Software loader and special component (BOM)