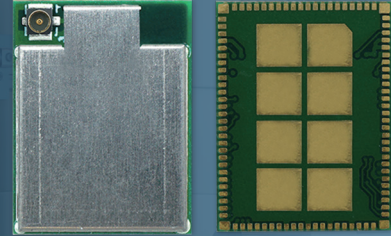


PIXI-9377-P

- Qualcomm QCA-9377 802.11 a/b/g/n/ac + Bluetooth Combo Module
- Pre-certified FCC/CE/IC/RCM/TELEC
- Windows 10, Linux, and Android Support
- PCI Express + USB Interface
- M.2 1216 Formfactor



Specifications

Connectivity

Wi-Fi Standards	802.11 a/b/g/n/ac
Wi-Fi Generation	Wi-Fi 5
Wi-Fi Operating Frequency	2412MHz ~ 2462MHz 5180MHz ~ 5825MHz
BT Operating Frequency	2402MHz ~ 2480MHz
TX/RX Streams	Dual-Band 1x1
Bluetooth	BT (BR+EDR+BLE)

Power Specifications

Operating Voltage	3.3V DC
Power Consumption	TX Mode: max. 510mA RX Mode: max. 160mA

System-in-Package

Chipset	Qualcomm QCA9377
---------	------------------

Driver Support

Standard Support	Linux Yocto Ubuntu Android Windows 10
------------------	---

Antenna

Antenna Connector	1x MHF4
-------------------	---------

Signaling

Wi-Fi	PCIe
Bluetooth	USB

Radio

Transmitted Power	802.11b: 19dBm +/- 2dB @11M	
	802.11g: 17dBm +/- 2dB @54M	
	802.11gn: 16dBm +/- 2dB @HT20 MCS7	
	802.11gn: 16dBm +/- 2dB @HT40 MCS7	
	802.11a: 12dBm +/- 2dB @54M	
	802.11an: 11dBm +/- 2dB @HT20 MCS7	
	802.11an: 11dBm +/- 2dB @HT40 MCS7	
	802.11ac: 9dBm +/- 2dB @VHT20 MCS8	
	802.11ac: 9dBm +/- 2dB @VHT40 MCS9	
	802.11ac: 9dBm +/- 2dB @VHT80 MCS9	
BT*: 0 ≤ Output Power ≤ 10 dBm		
Receive Sensitivity	802.11a: ≤ -70dBm @54Mbps	
	802.11b: ≤ -88dBm @11Mbps	
	802.11g: ≤ -72dBm @54Mbps	
	802.11gn HT20: ≤ -65dBm @MCS7	
	802.11gn HT40: ≤ -65dBm @MCS7	
	802.11an HT20: ≤ -65dBm @MCS7	
	802.11an HT40: ≤ -65dBm @MCS7	
	802.11ac VHT80: ≤ -51Bm @MCS9	
	BT: < 0.1% BER at -70dBm	

*BT(Class 1 Device)

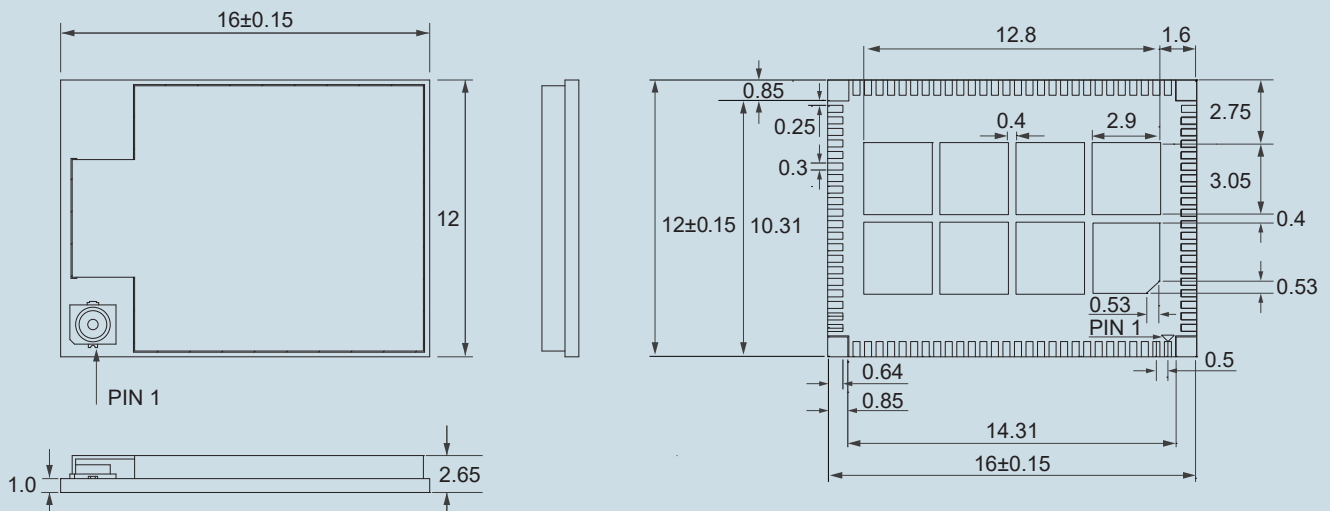
Environmental and Mechanical

Dimensions	16 (W) x 12 (H) x 2.65 (D) mm
Form Factor	M.2 LGA Type 1216
Relative Humidity	10 to 90 %
MTBF	50,000 Hours
Operation Temperature	Industrial: -40° to +85° C
Weight	≤ 2 grams

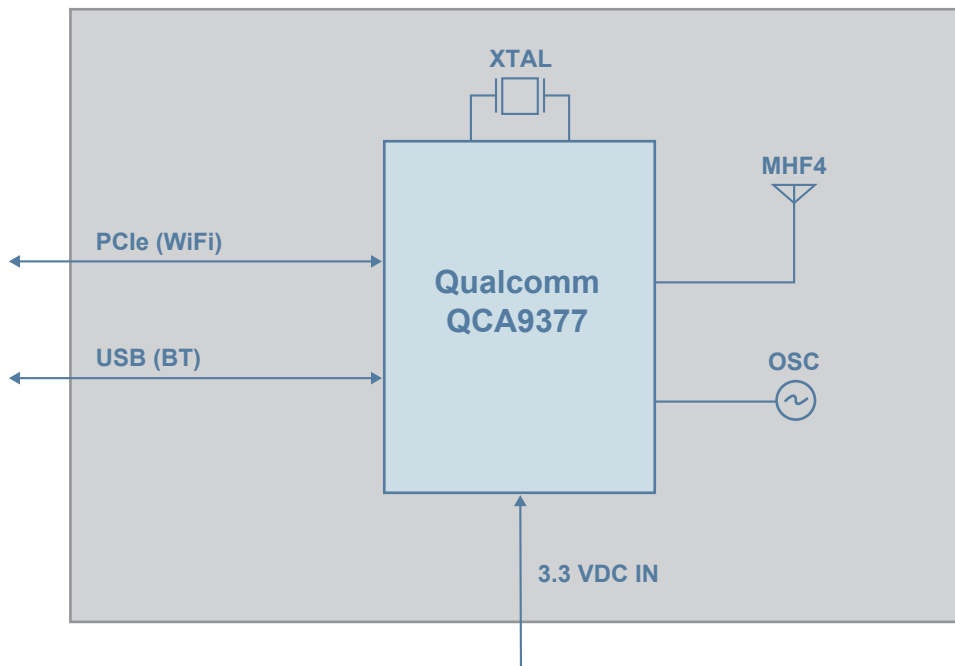
Certification and Compliance

USA	FCC ID: 2AKZA-QCA9377
Canada	IC: 22364-QCA9377
European Union	EN 300 328 v2.2.2
	EN 301 893 v2.1.1
	EN 55032 / EN 55024
Japan	TELEC: 201-180629
Australia/New Zealand	RCM Compliant
Bluetooth Logo	QDID 150839 (Bluetooth 4.2)
	QDID 193238 (Bluetooth 5)
Certification	Compliant with RoHS / REACH directives

Dimensions (units in mm)



Block Diagram



Order Information

Code	Description	Signaling
PIXI-9377-S	Qualcomm QCA9377 System-in-Package (SiP) IoT module	SDIO (Wi-Fi) / UART (BT) / I ² S
PIXI-9377-P	Qualcomm QCA9377 System-in-Package (SiP) IoT module	PCIe (Wi-Fi) / USB (BT)
STIX-9377-M2-AE	Qualcomm QCA9377 SiP M.2 KEY-A+E Type 2230 IoT module	PCIe (Wi-Fi) / USB (BT)
STIX-9377-M2-B	Qualcomm QCA9377 SiP M.2 KEY-B Type 2242 IoT module	PCIe (Wi-Fi) / USB (BT)
STIX-9377-MPCIE	Qualcomm QCA9377 SiP mini-PCIe half size IoT module	PCIe (Wi-Fi) / USB (BT)

Code	Description	Wireless SiP module
PIXI-9377-EVK	Development Kit for Qualcomm QCA9377 based on PIXI-9377-S	Antenna and cable set