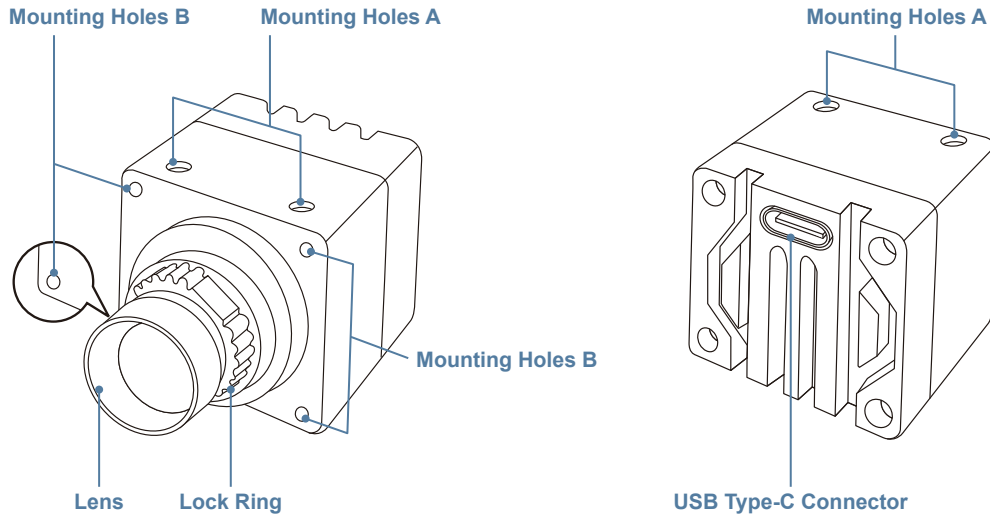


1. Identifying the Parts

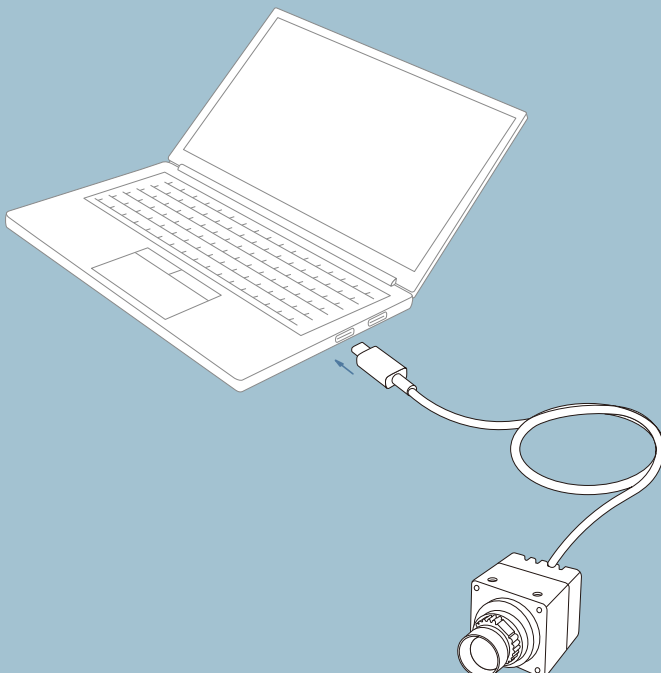


- Mounting hole A dimension: M3 x 0.4P, 3.5mm depth.
- Mounting hole B dimension: M2 x 0.5P, 3mm depth.

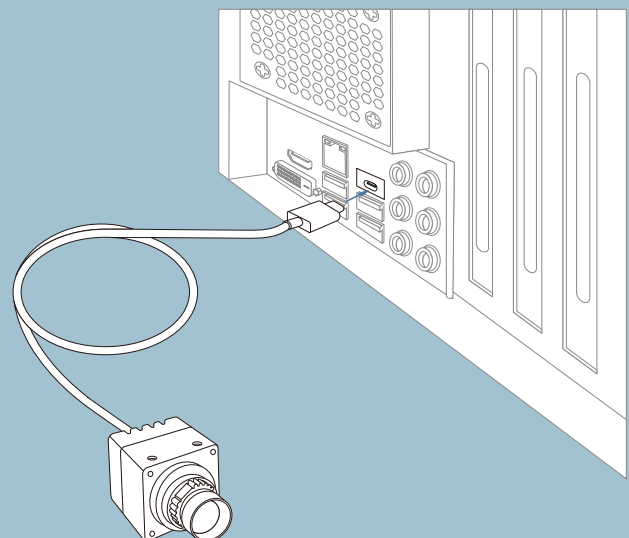
2. How to Connect the Camera

- Refer to the scenarios below to connect the camera module using a USB Type-C cable. Make sure there is a USB Type-C connector on your computer.

Connect to a laptop



Connect to a desktop



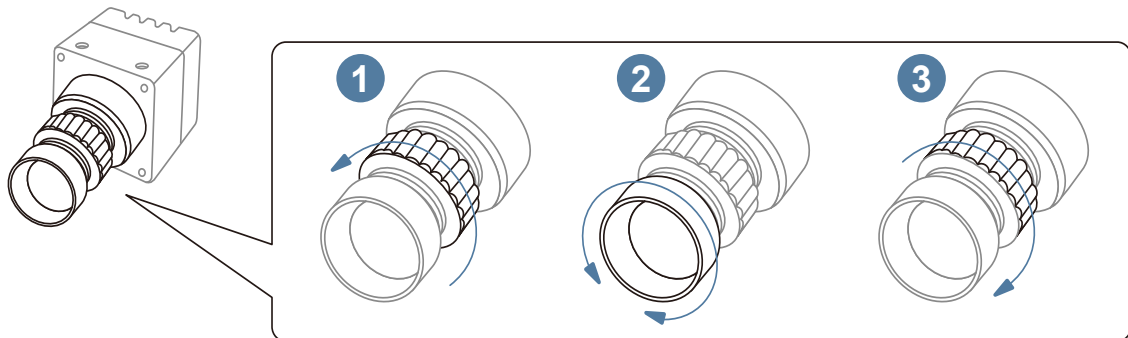
3. How to Use the Camera

- This camera is a plug-and-play design and easy to use. Just enable the camera software built-in by the operating system or a supported third-party camera application, and then you can start to capture the images.

4. How to Adjust the Lens

If the image shown on the screen isn't sharp and blurry, follow the steps below to adjust the lens.

1. Turn the lock ring counterclockwise to loosen the lens.
2. Turn the lens clockwise or counterclockwise until you have achieved the best quality of the image.
3. Turn the lock ring clockwise to tighten the lens.



5. Getting Information



Select a compatible camera

<https://www.technexion.com/products/embedded-vision/vizioncam/>



Software and development resources

<https://www.technexion.com/support>

