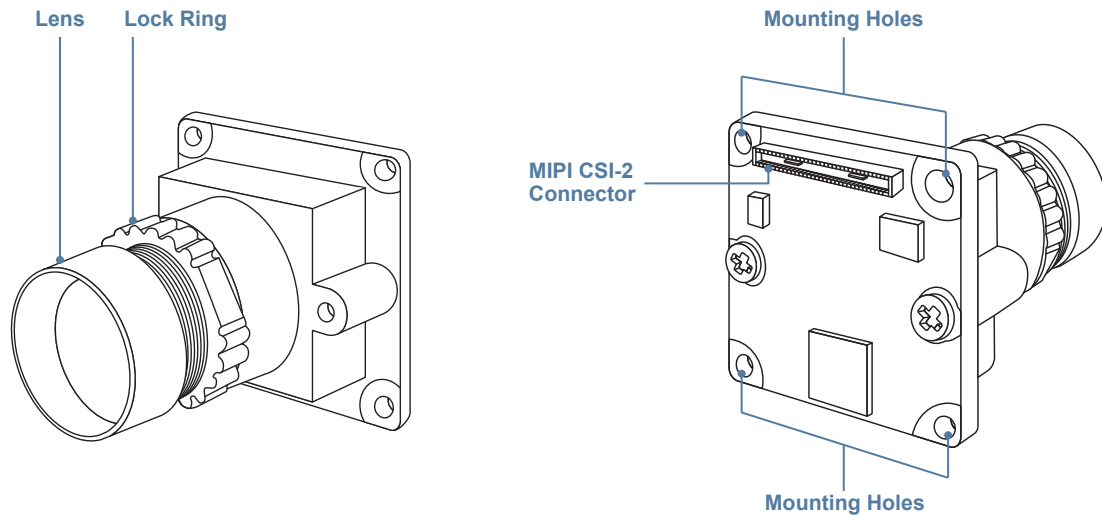


1. Identifying the Parts

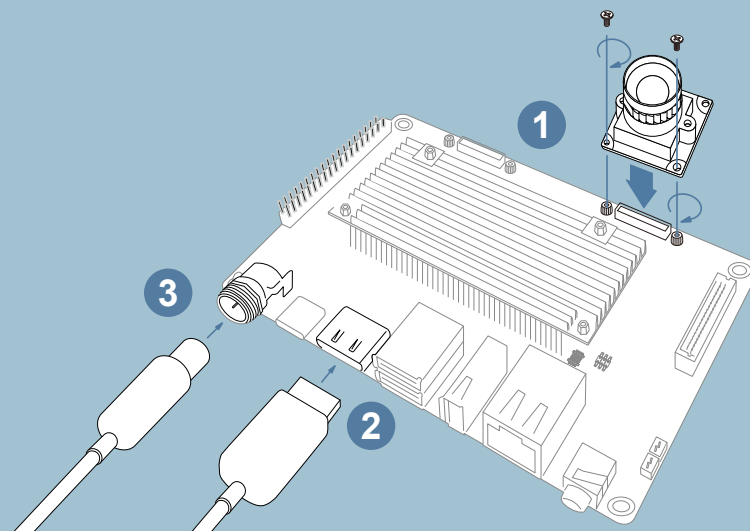


2. How to Assemble the Camera

To assemble the camera module to the evaluation kit, you may connect the camera module directly to the MIPI CSI-2 interface on the evaluation kit or extend the camera module using an FPC cable depending on the requirement. For more detailed MIPI CSI-2 connector information, refer to the manual of the evaluation kit.

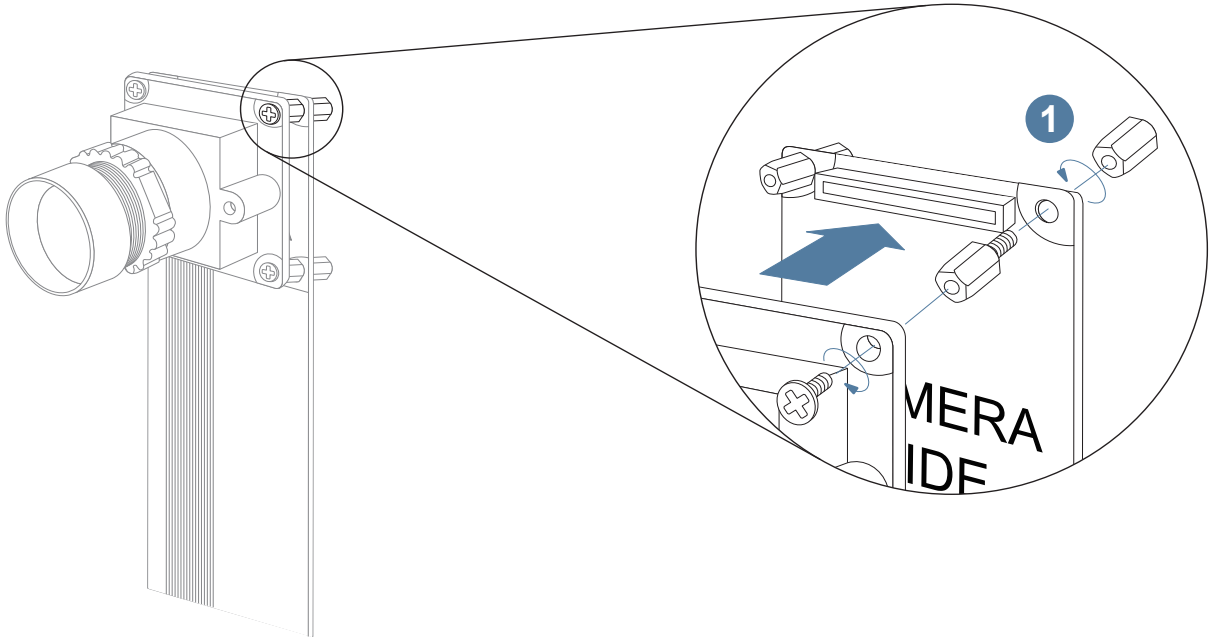
• Direct Connection

1. Connect the MIPI CSI 2 connector on the rear panel of the camera module (opposite side of the lens) to the MIPI CSI 2 connector on the evaluation kit, then tighten it using the screws. For the detailed position of the MIPI CSI2 connector, please refer to the evaluation kit's manual.
2. Connect to a monitor using an HDMI cable.
3. Connect to a 12V/2A power adapter with a size of 2.1x5.5mm plug connector.

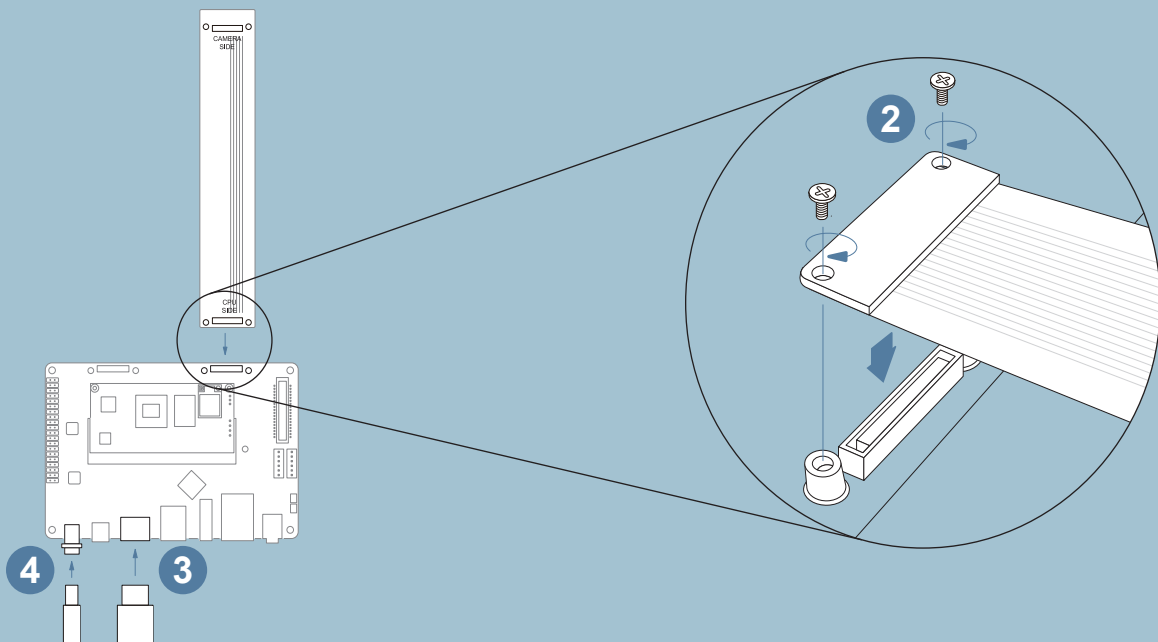


- **Extend the Camera with an FPC Cable**

1. Connect the camera module to the MIPI CSI 2 connector on the FPC cable camera side, then follow the illustration below to tighten the screws.



2. Connect the FPC cable CPU side to the MIPI CSI 2 connector on the evaluation kit, then follow the illustration below to tighten the screws. For the detailed position of the MIPI CSI2 connector, please refer to the evaluation kit's manual.
3. Connect to a monitor using an HDMI cable.
4. Connect to a 12V/2A power adapter with a size of 2.1x5.5mm plug connector.



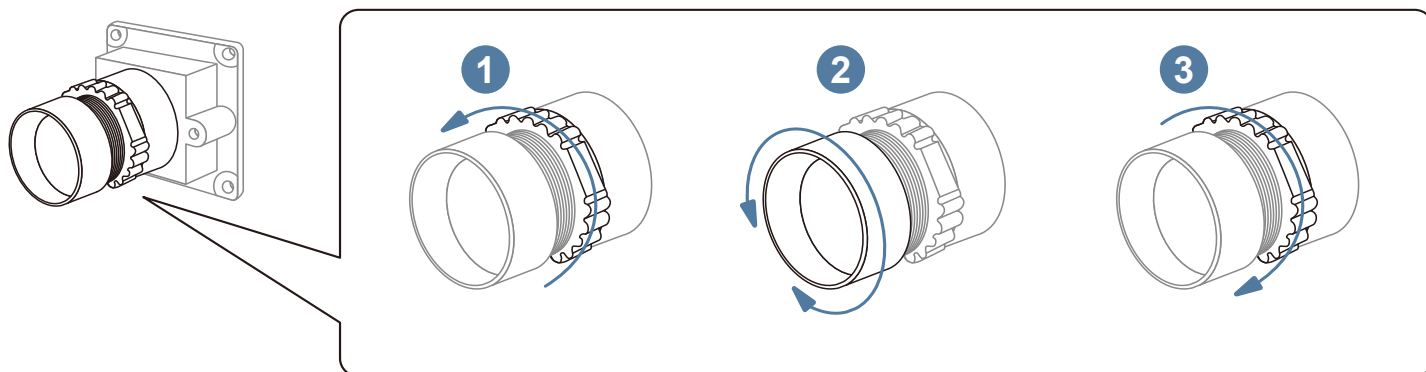
3. How to Use the Camera

- Power on the system once the connections are completed. Refer to the link below and click the item of Machine Vision to select the corresponding camera for the detailed operation. <https://developer.technexion.com/beta/docs/product-category-overview>

4. How to Adjust the Lens

If the image shown on the screen isn't sharp and blurry, follow the steps below to adjust the lens.

1. Turn the lock ring counterclockwise to loosen the lens.
2. Turn the lens clockwise or counterclockwise until you have achieved the best quality of the image.
3. Turn the lock ring clockwise to tighten the lens.



5. Getting Information



Select a compatible camera

<https://www.technexion.com/products/embedded-vision/camera-sensors/>



Software and development resources

<https://www.technexion.com/support>

