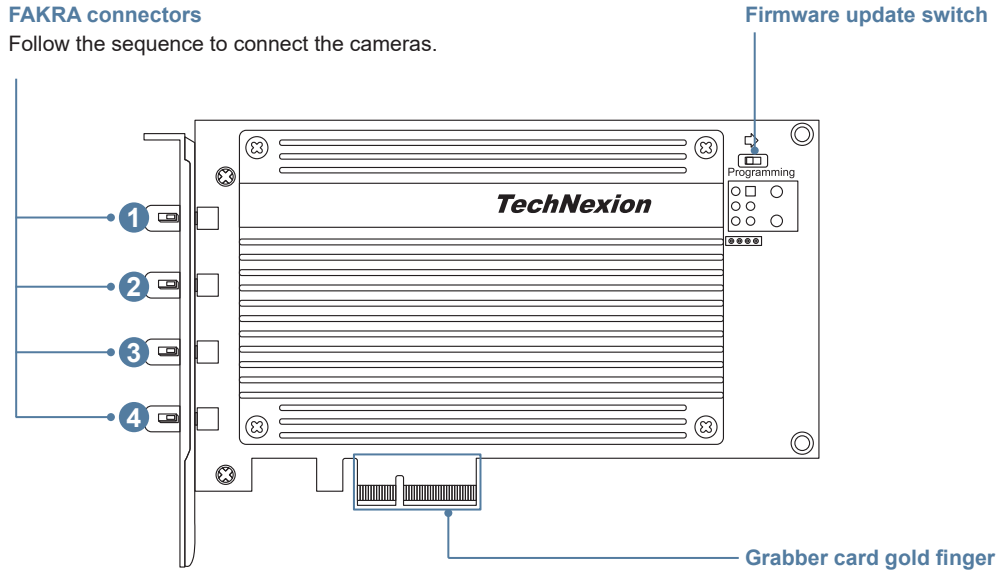


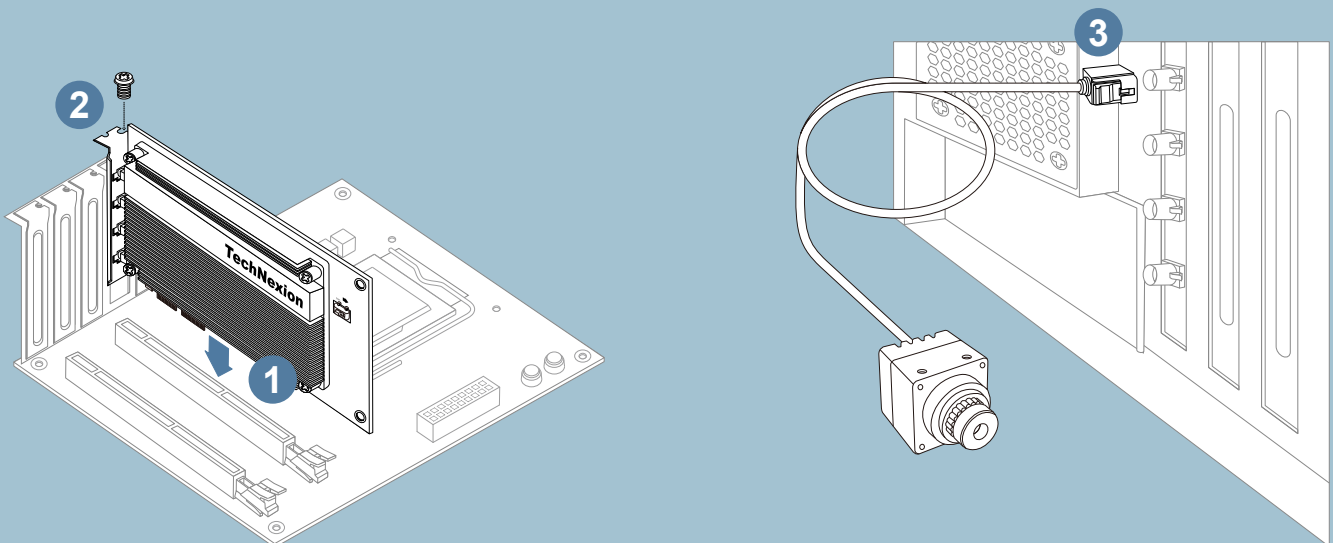
1. Identifying the Parts



Note: To update the firmware, toggle the switch to the programming mode (right side) and strongly suggest operating this procedure by a technician.

2. How to Assemble the Card and the Cameras

1. Push down the grabber card into the PCIe slot directly.
2. Make sure the golden finger of the card is inserted firmly, and secure the card with a screw.
3. Connect the coaxial cable into the FAKRA connector of the frame grabber card on the I/O rear panel of the computer and the other end to a camera. Follow the sequence mentioned in the [Identifying the Parts](#) section to connect other cameras.



3. How to Use the Camera

1. Enable the camera software built-in by the operating system or a supported third-party camera application.
 2. Follow the software instructions to operate the camera.
- If the messages appear on the screen below, check the following (demonstrated with Windows built-in app):



The camera isn't connected or detected. Please examine the connections between the camera, adapter, and computer.



The camera requires to update the firmware. Please check this issue with a technician or contact us for help.

4. Getting Information



Select a compatible camera

<https://www.technexion.com/products/embedded-vision/vizionlink>



Software and development resources

<https://www.technexion.com/support/>

