

## TWP-1560-IMX6

- The TWP-1560-IMX6 is a scalable multimedia HMI based on an NXP i.MX6 multicore Cortex-A9™ processor.
- Supports 2D/3D graphic applications.
- Features a 15.6 -inch widescreen ratio multitouch PCAP touch screen with LED backlight.
- Brushed Anodized Aluminum front bezel.
- Edge-computing ready with mini-PCIe expansion + SIM Card slot for cloud connectivity.



## Specifications

### Core System

Processor	NXP i.MX6 Solo NXP i.MX6 DualLite NXP i.MX6 Quad
Architecture	ARM Cortex-A9
PMIC	NXP MMPF0100
Memory	Up to 2GB DDR3
Storage	4GB eMMC

### Connectivity

Network LAN	1x Atheros AR8035 Gigabit LAN
Power over Ethernet	PoE function 802.3at (optional)

### Video

GPU Engine	Vivante GC2000 (Quad) Vivante GC320 (2D Composition) Vivante GC355 (Quad) Vivante GC880 (Solo/DualLite)
Video Decode	1080p30 + D1 (Solo/DualLite) 1080p60 H.264 (Quad)
Video Encode	1080p30 H.264 BP/Dual 720p

### Power Specifications

Power Input	Available with 12V 9-36V (wide power input)
Power Connector	3-pin M12
Power Consumption	Depending on Configuration

### Operating Systems

Standard Support	Linux Yocto Android Ubuntu
------------------	-------------------------------------

### Environmental and Mechanical

Enclosure Material	Metal
Front Bezel	Stainless Steel
IP Rating	IP69K
Dimensions	438.4 (W) x 289.1 (H) x 56.5 (D) mm
Relative Humidity	10 to 90 %
MTBF	50,000 Hours
Shock	15G half-sine 11 ms duration
Operation Temperature	Commercial: 0° to +50°C
Vibration	1 Grms random 5-500Hz hr/axis
Weight	7100 grams

## Mounting Options

VESA Mounting	75*75 VESA MIS-D Standard (separate purchase)
YOKE Mounting	Yoke Standard 50mm (separate purchase)

## Modular Expansion Options

Power Expansion Module	TXB-P1-12V-LAN1 (12V 3A) TXB-P1-1030V-LAN1 (9-36V 5A) TXB-P1-12V-POE1 (12V 3A) or (PoE 802.3at)
------------------------	---

## Display

LCD	15.6 inch widescreen LCD with LED backlight
Resolution	1366 x 768 pixels
Luminance	300 cd/m <sup>2</sup>
Maximum Colors	16.7 million
Touchscreen	Projective Capacitive (multitouch)

## External Connectors

Network	1x 8-pin M12
USB	1x 8-pin M12 (2x USB 2.0 Host)
Serial	1x 8-pin M12 (1x RS-232)

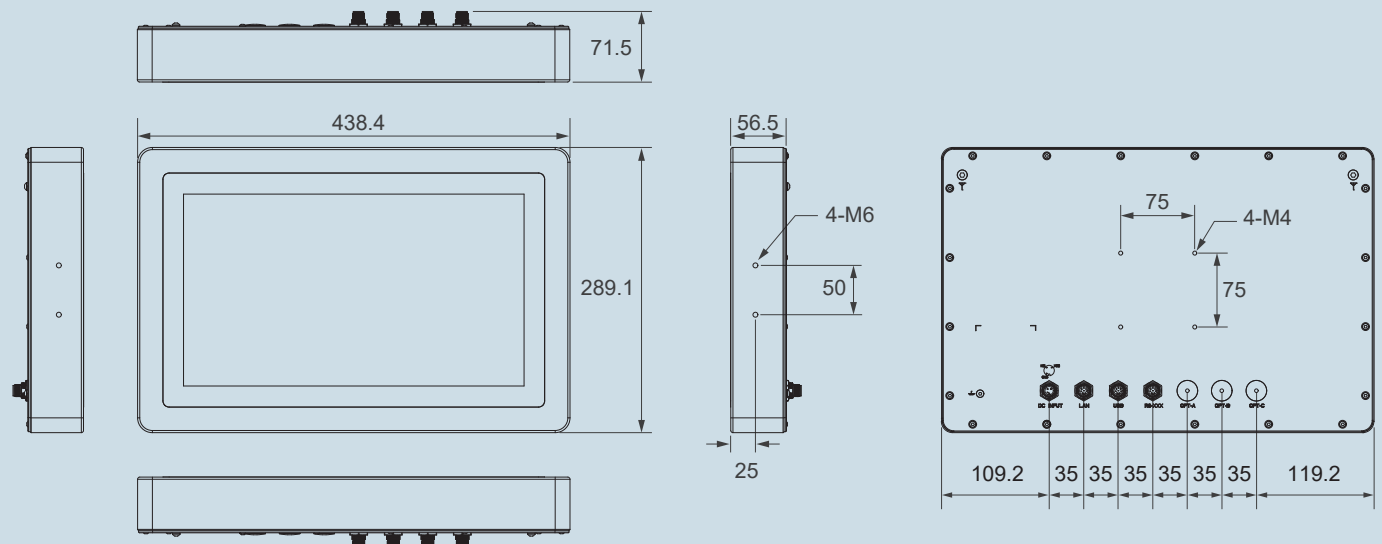
## Expansion Interfaces

Expansion Slots	2x M.2 slot 2x mini-PCIe with SIM cardslot
-----------------	---

## Certification and Compliance

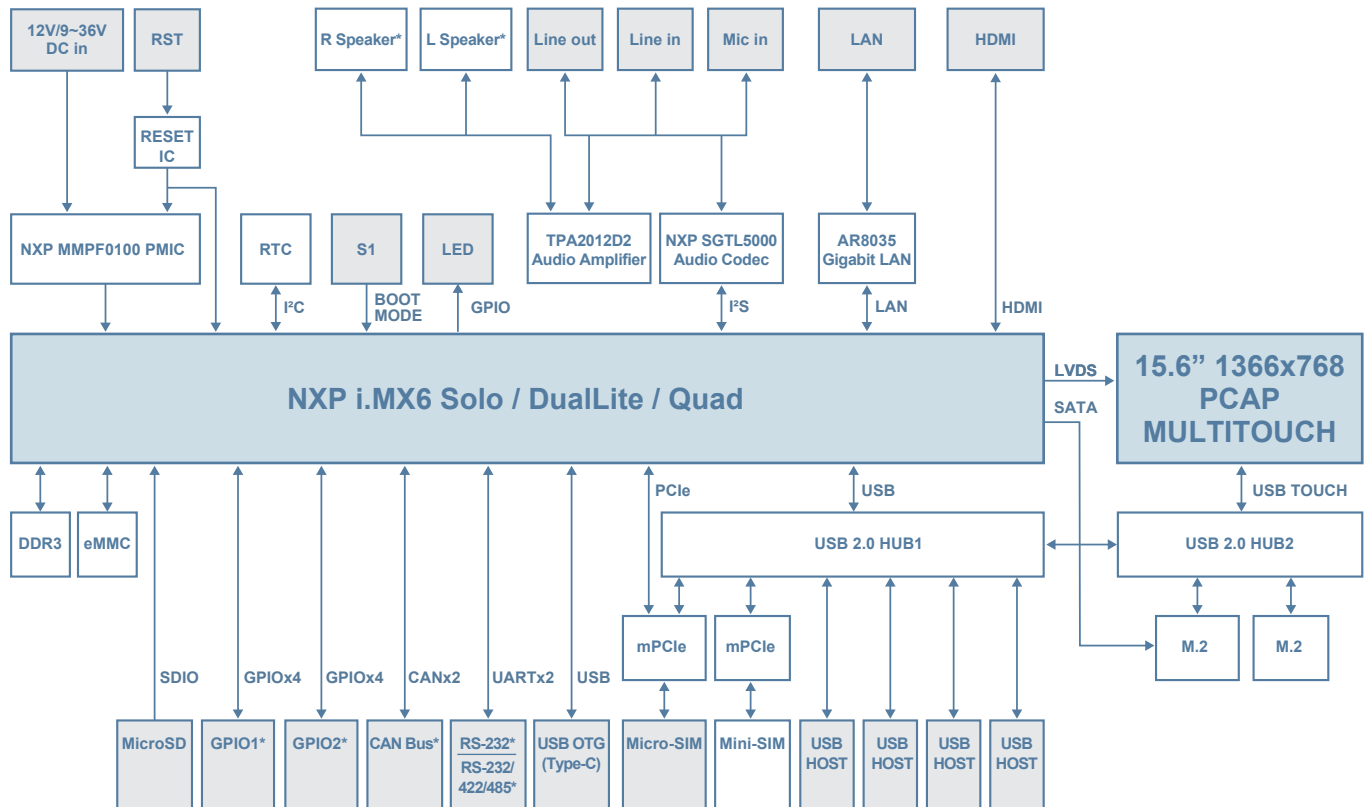
Certification	Compliant with CE / FCC / RoHS / REACH directives
---------------	---

## Dimensions (units in mm)



# Block Diagram

LEGEND External I/O \* Optional



## Order Information

TWP1560-IMX6x-Rxx-Exx-Lxxx-xxxx-xxxx

	Code	Description
Processor	IMX6S	NXP i.MX6 Solo
	IMX6U	NXP i.MX6 DualLite
	IMX6Q	NXP i.MX6 Quad
Memory	R05	512MHz DDR3
	R10	1GB DDR3
	R20	2GB DDR3
Storage	E04	eMMC capacity E04 = 4GB / E16 = 16GB / E32 = 32GB / E64 = 64GB
Power Expansion	L112	TXB-P1-12V-LAN1 (12V 3A)
	L130	TXB-P1-1030V-LAN1 (9-36V 5A)
	LPOE	TXB-P1-12V-POE1 (12V 3A) or (PoE 802.3at)
Custom ID	XXXX	Custom Part number ID for customized Software loader and special component (BOM)