

# TEP-0500-IMX6UL



- The TEP-0500-IMX6UL is a cost-optimized general industrial applications HMI based on an NXP i.MX6UL core Cortex-A7™ processor.
- The TEP-0500-IMX6UL features a 5-inch widescreen ratio multitouch PCAP touch screen with LED backlight and brushed aluminum front bezel.
- 4 RS-232, 2 CAN, 12 GPIO, 2 Fast Ethernet and USB interfaces.
- Orderable with single voltage 12VDC, wide voltage 9 - 36VDC or 802.3at PoE (power over ethernet) options.
- Linux and Yocto runtime images and full source code available.

## Specifications



### Core System

Processor	NXP i.MX6 UL
Processor Speed	528MHz
Architecture	ARM Cortex-A7
PMIC	NXP PF3000
Memory	Up to 1GB DDR3L
Storage	eMMC (4GB Default)

### Connectivity

Network LAN	2x Micrel KSZ8081RNBCA Fast Ethernet LAN
Power over Ethernet	PoE function 802.3at (optional)

### External Connectors

Network	2x RJ45
USB	1x USB 2.0 Host 1x USB 2.0 OTG (Type-C)
CAN Bus	2x Flex CAN version 2.0B compliant
Serial	4x RS-232
GPIO	12x GPIO
Buttons	1x Boot Select 1x Reset
Indicators	1x Programmable LED
SD Cardslot	1x MicroSD Card slot

### Display

LCD	5 inch widescreen LCD with LED backlight
Resolution	800 x 480 pixels
Luminance	300 cd/m <sup>2</sup>
Maximum Colors	16.7 million
Touchscreen	Projective Capacitive (multitouch)

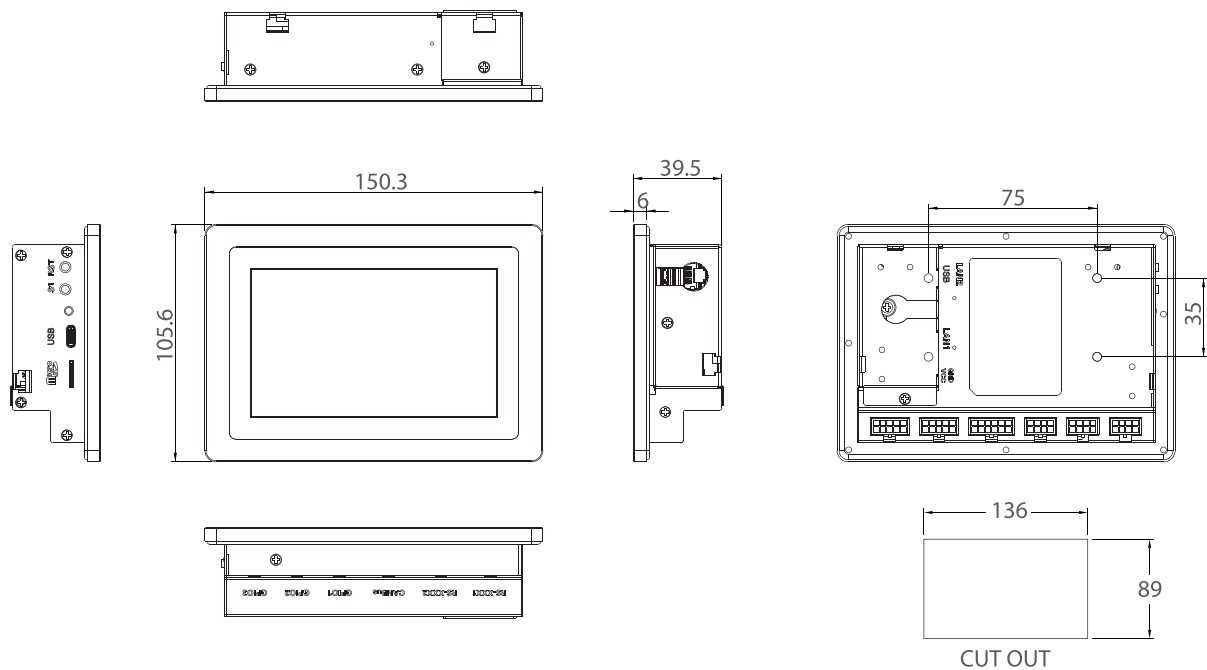
### Power Specifications

Power Input	Available with 12V 9-36V (wide power input)
Power Over Ethernet	PoE function 802.3at (optional)
Power Connector	2-pin Micro-Fit 3.0
Power Consumption	Depending on Configuration

### Operation Systems

Standard Support	Linux Yocto
Extended Support	Commercial Linux

## Dimensions (units in mm)



## Environmental and Mechanical

Enclosure Material	Metal
Front Bezel	Brushed Anodized Aluminium
IP Rating	IP65 Front
Dimensions	150 (W) x 105 (H) x 39 (D) mm
Weight	550 grams
Temperature	Commercial: 0° to +50°C
Relative Humidity	10 to 90 %
MTBF	50 000 Hours
Shock	15G half-sine 11 ms duration
Vibration	1 Grms random 5-500Hz hr/axis
Certification	Compliant with CE / FCC / RoHS / REACH directives

## Modular Expansion Options

Power Expansion Module	TXR-P1-12V-LAN1 (12V 3A) TXR-P1-1030V-LAN1 (9-36V 5A) TXR-P1-12V-POE1 (12V 3A) or (PoE 802.3at)
------------------------	---

## Mounting Options

Rear Mounting	4 mounting clips required (included)
VESA Mounting	35*75 VESA MIS C. Standard (separate purchase)
Surface Mounting	8 mounting holes

## Order Information

### TEP0500-IMX6G-05-Rxx-Exx-Lxxx-xxxx

	Code	Description
Processor	IMX6G	NXP i.MX6UltraLite
Processor Speed	05	528MHz
Memory	R05	512MB DDR3L
Storage	E04	eMMC capacity E04 = 4GB / E16 = 16GB / E32 = 32GB / E64 = 64GB
Power Expansion	L112	TXB-P1-12V-LAN1 (12V 3A)
	L130	TXB-P1-1030V-LAN1 (9-36V 5A)
	LPOE	TXB-P1-12V-POE1 (12V 3A) or (PoE 802.3at)
Custom ID	XXXX	Custom Part number ID for customized Software loader and special component (BOM)