

VIZIONLINK-OV5640



- Color Models, up to 2 lanes MIPI CSI-2 interface.
- Support automatic exposure control (AEC), automatic white balance (AWB), color image controls such as saturation, hue, lens correction, defective pixel canceling.
- Solution with Image Signal Processing function, tie in LVDS FPD-Link III interface.
- Enable to embed on all TechNexion NXP i.MX SOM product and Nvidia Jetson system.
- Support embedded machine vision application in Digital still cameras, Smart Camera, PC multimedia, Surveillance Camera.

Specifications

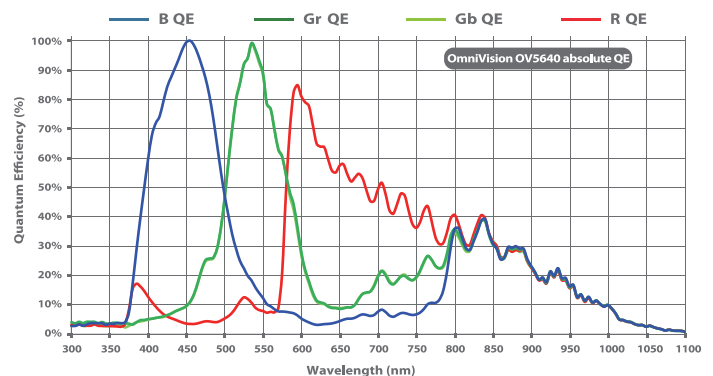
Sensor Information

| | |
|-------------------|--|
| CMOS Sensor | OmniVision OV5640 |
| Active Pixels | 2592 (H) x 1944 (V) |
| Pixel Size | 1.4 μm x 1.4 μm |
| Optical Format | 1/4" |
| Shutter Type | Rolling Shutter |
| Chromaticity | Color |
| Max Frame Rate | 1080p: 30 fps 1280x960: 45 fps 720p: 60 fps QSXGA (2592x1944): 15 fps QVGA (320x240): 120 fps VGA (640x480): 90 fps |
| Chief Ray Angle | 24° |
| Input Clock Range | 6 - 27 MHz (Default 24MHz) |
| Bit Depths | 8 / 10 bit |
| Color Format | YUV422, RAW8, RAW10 |

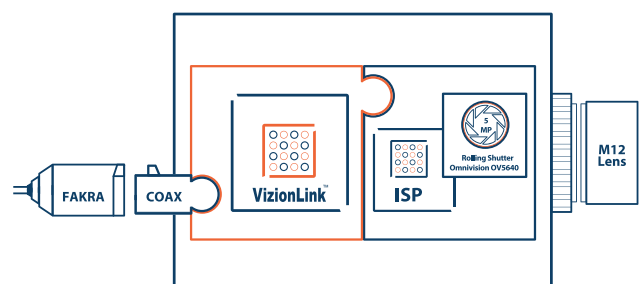
Interface

| | |
|-------------------------|-----------------------------------|
| Data Transmission | MIPI CSI-2, up to 2 lanes |
| Communication Interface | I ² C |
| System | FPD-LINK III |
| Connector | FAKRA SMB Jack_73403507 connector |

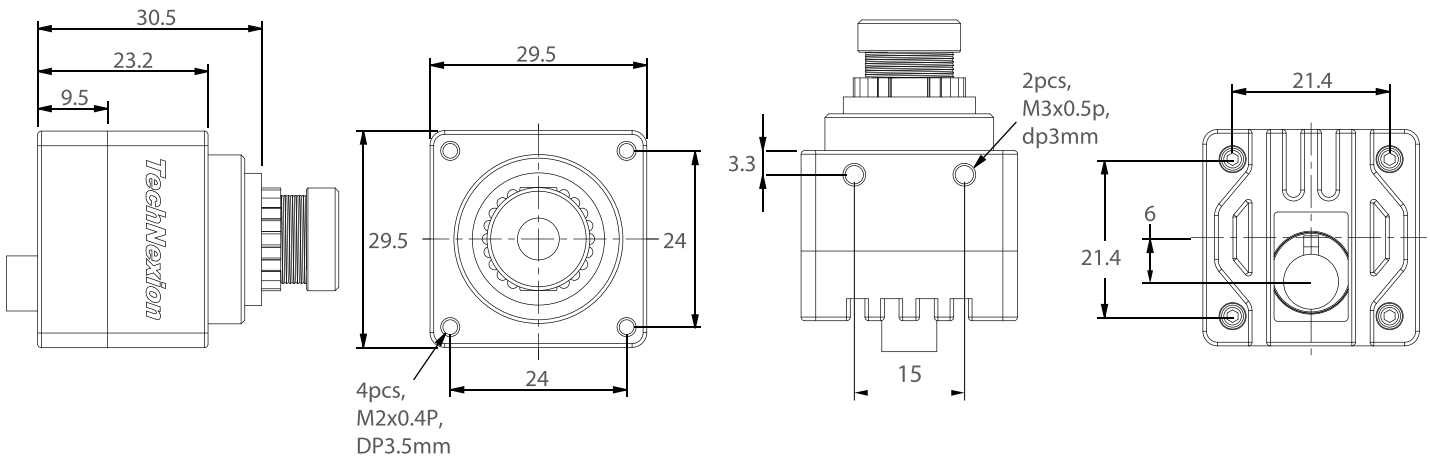
Spectral Characteristics



Block Diagram



Dimensions (units in mm)



Environmental and Mechanical

| | |
|-----------------------|---------------------------------|
| L x W x H | 29.5 x 29.5 x 30.5 (Housing) mm |
| Mass | <50g |
| Operating Temperature | -30° ~ 70°C |
| Storage Temperature | -40° ~ 125°C |
| Ambient Humidity | 10% to 90% RH |

Certification and Compliance

| | |
|---------------|---|
| Certification | Compliant with CE / FCC / RoHS / REACH directives |
|---------------|---|

Power

| | |
|----------------|-----|
| Supply Voltage | 12V |
|----------------|-----|

ISP Function

- Auto Exposure
- Auto Gain
- Gamma
- Auto White Balance (Color Model)
- Color Calibration

Order Information

VIZIONLINK-OV5640

| | |
|----------------|---------|
| Holder / Frame | S Mount |
| Lens | Y |

Lens Information

TEVSL06067030

| | |
|----------------|-------------------|
| Focus Length | 6.0 mm |
| F/No. | 2.0 |
| FOV (Diagonal) | 84° |
| TTL | 23.5 mm |
| Range | 30 cm to Infinity |

*TechNexion could provide the suitable lens base on customer demand