

VIZIONLINK-AR0821



- High performance DR-Pix BSI pixel, up to 4 lanes MIPI CSI-2 interface.
- Fast full resolution video performance, 40 fps in 3-exposure HDR.
- Solution with Image Signal Processing function, tie in LVDS FPD-Link III interface.
- Enable to embed on all TechNexion NXP i.MX SOM product and Nvidia Jetson system.
- Support embedded vision application in IoT, Security, Virtual/Augmented Reality, Scanning, Consumer Electronics.

Specifications

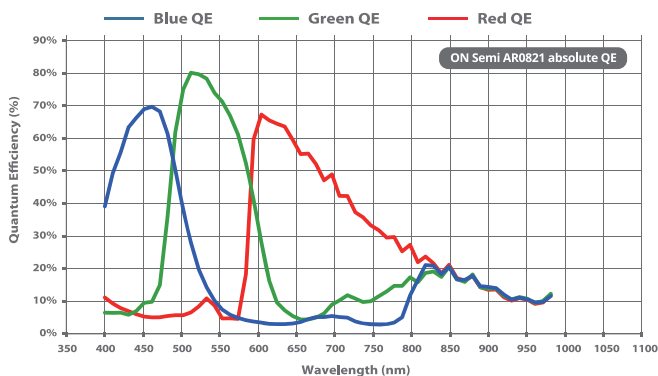
Sensor Information

CMOS Sensor	ON Semi AR0821
Active Pixels	3848 (H) x 2168 (V)
Pixel Size	2.1 μm x 2.1 μm
Optical Format	1/2" (Diagonal 9.25 mm)
Shutter Type	Rolling Shutter
Chromaticity	Color
Max Frame Rate	8Mp/3 exposure HDR: 40 fps 8Mp/4 exposure HDR: 30 fps
Chief Ray Angle	18°
Input Clock Range	10 - 48 MHz (Default 48MHz)
Bit Depths	8 / 10 / 12 bit
Color Format	YUV422, RGB888, RAW8, RAW10, RAW12

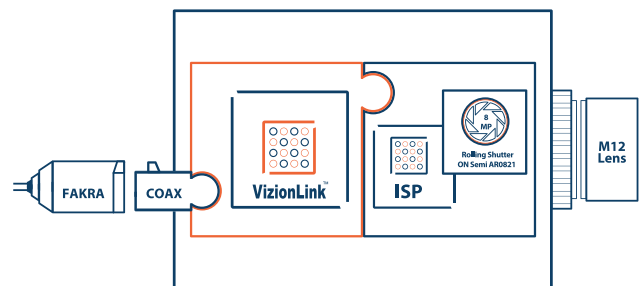
Interface

Data Transmission	MIPI CSI-2, up to 4 lanes
Communication Interface	I ² C
System	FPD-LINK III
Connector	FAKRA SMB Jack_73403507 connector

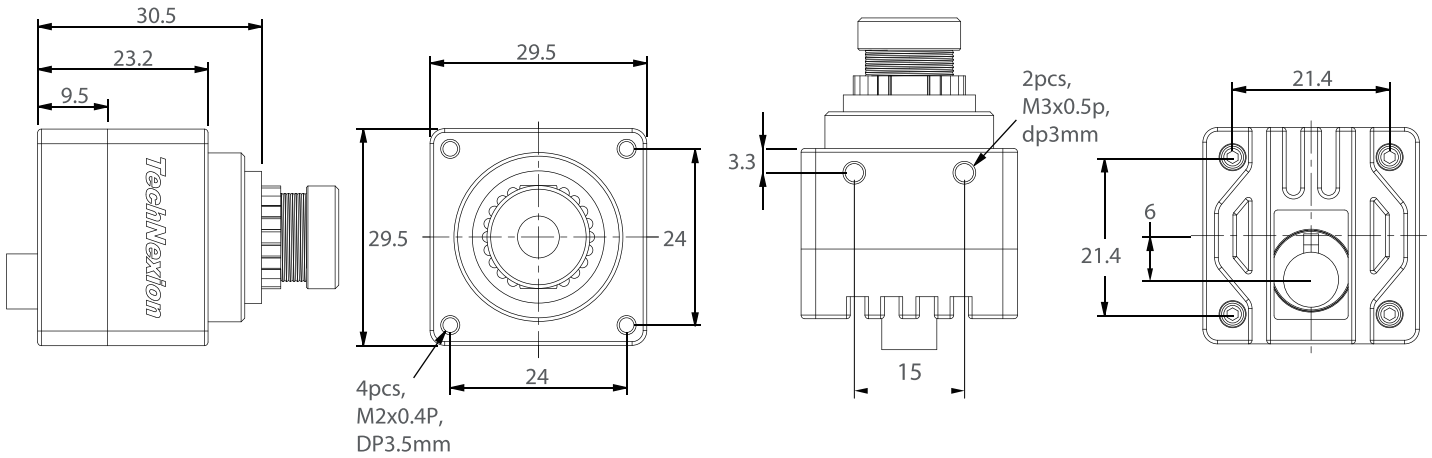
Spectral Characteristics



Block Diagram



Dimensions (units in mm)



Environmental and Mechanical

L x W x H	29.5 x 29.5 x 30.5 (Housing) mm
Mass	<50g
Operating Temperature	-30° ~ 85°C
Storage Temperature	-40° ~ 125°C
Ambient Humidity	10% to 90% RH

Certification and Compliance

Certification	Compliant with CE / FCC / RoHS / REACH directives
---------------	---

Power

Supply Voltage	Power: 12V
----------------	------------

ISP Function

- Auto Exposure
- Auto Gain
- Gamma
- Auto White Balance (Color Model)
- Color Calibration

Order Information

VIZIONLINK-AR0821

Holder / Frame	S Mount
Lens	Y

Lens Information

TEVSL06072010

Focus Length	6.0 mm
F/No.	2.8
FOV (Diagonal)	72°
TTL	28.6 mm
Range	10 cm to Infinity

*TechNexion could provide the suitable lens base on customer demand