

# VIZIONLINK-AR0521



- Monochrome or Color Models, up to 4 lanes MIPI CSI-2 interface.
- Excellent video performance, 60 fps at 5 Megapixel.
- Solution with Image Signal Processing function, tie in LVDS FPD-Link III interface.
- Enable to embed on TechNexion NXP SOM product and Nvidia Jetson system.
- Support embedded machine vision application in Security Camera, People Counting, Face Recognition, Car DVR.

## Specifications

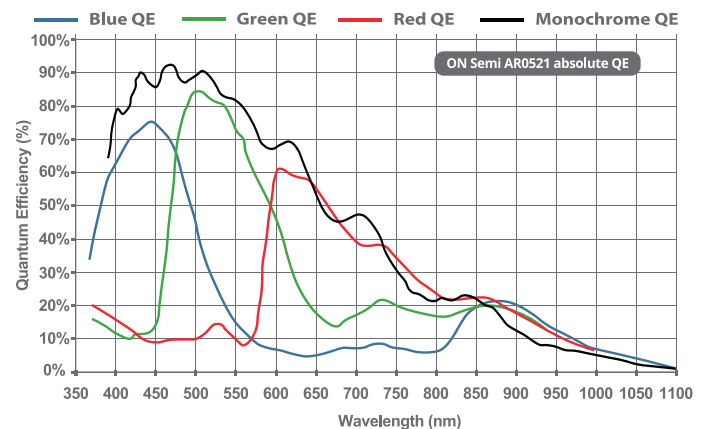
### Sensor Information

CMOS Sensor	ON Semi AR0521
Active Pixels	2592 (H) x 1944 (V)
Pixel Size	2.2 $\mu\text{m}$ x 2.2 $\mu\text{m}$
Optical Format	1/2.5" (Diagonal 7.13 mm)
Shutter Type	Rolling Shutter
Chromaticity	Mono / Color
Max Frame Rate	5Mp/10 bit: 60 fps 5Mp/10 bit/Interleaved HDR: 30 fps 5Mp/12 bit: 32 fps 5Mp/12 bit/Interleaved HDR: 16 fps 1440p/10 bit: 60 fps 1440p/10 bit/Interleaved HDR: 30 fps 1440p/12 bit: 50 fps 1440p/12 bit/Interleaved HDR: 25 fps
Chief Ray Angle	9°
Input Clock Range	10 - 48 MHz (Default 48MHz)
Bit Depths	8 / 10 / 12 bit
Color Format	YUV422, RGB888, RAW8, RAW10, RAW12

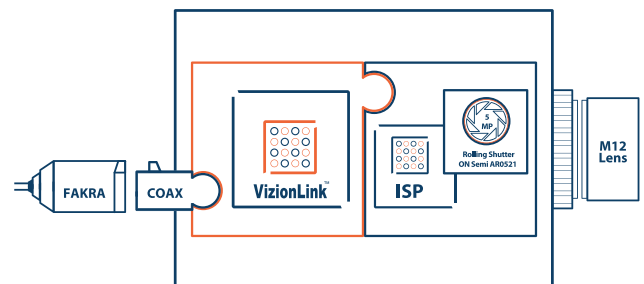
### Interface

Data Transmission	MIPI CSI-2, up to 4 lanes
Communication Interface	I <sup>2</sup> C
System	FPD-LINK III
Connector	FAKRA SMB Jack_73403507 connector

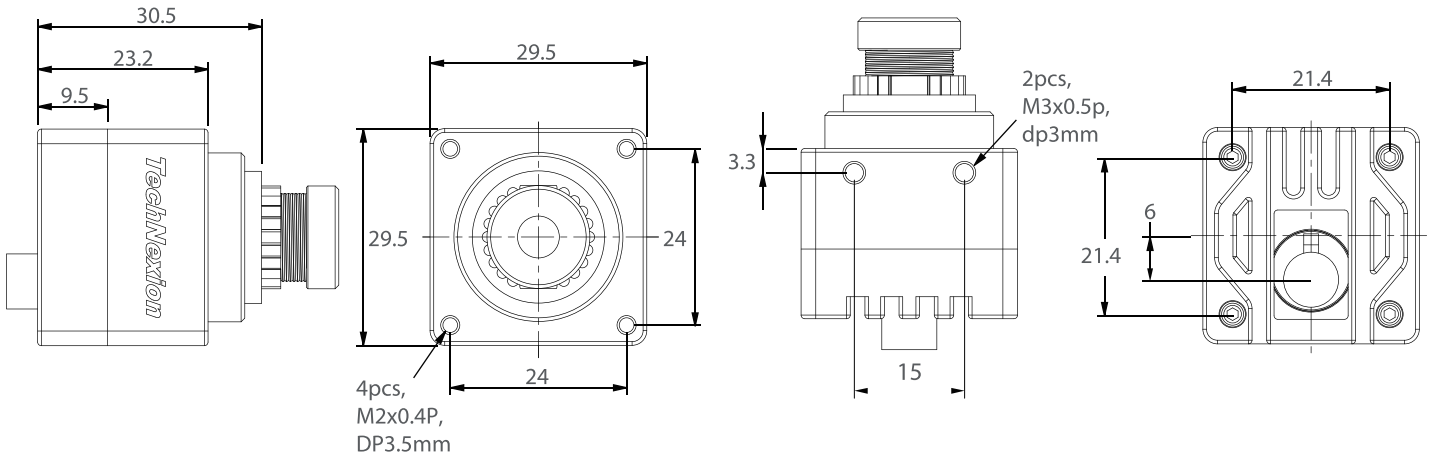
### Spectral Characteristics



### Block Diagram



**Dimensions** (units in mm)



**Environmental and Mechanical**

L x W x H	29.5 x 29.5 x 30.5 (Housing) mm
Mass	<50g
Operating Temperature	-30° ~ 85°C
Storage Temperature	-30° ~ 125°C
Ambient Humidity	10% to 90% RH

**Certification and Compliance**

Certification	Compliant with CE / FCC / RoHS / REACH directives
---------------	---

**Power**

Supply Voltage	Power: 12V
----------------	------------

**ISP Function**

- Auto Exposure
- Auto Gain
- Gamma
- Auto White Balance (Color Model)
- Color Calibration

**Order Information**

**VIZIONLINK-AR0521**

Holder / Frame	S Mount
Lens	Y

**Lens Information**

**TEVSL06067030**

Focus Length	3.9 mm
F/No.	2.8
FOV (Diagonal)	86°
TTL	22 mm
Range	30 cm to Infinity

\*TechNexion could provide the suitable lens base on customer demand