

VIZIONLINK-AR0234

- Monochrome or Color Models, up to 4 lanes MIPI CSI-2 interface.
- Superior Low-light and IR Performance. Global Shutter, 60 fps at 1 Megapixel.
- Solution with Image Signal Processing function, tie in LVDS FPD-Link III interface.
- Enable to embed on all TechNexion NXP i.MX SOM product and Nvidia Jetson system.
- Support embedded the application in In Cabin Automotive, Iris Scanning, Eye Tracking Gesture Recognition, Augmented Reality.

Specifications

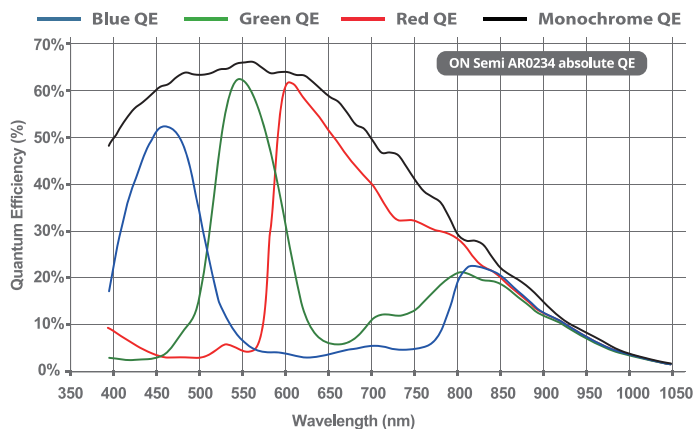
Sensor Information

CMOS Sensor	ON Semi AR0234
Active Pixels	1920 (H) x 1200 (V)
Pixel Size	3.0 μm x 3.0 μm
Optical Format	1/2.6" (Diagonal 6.8 mm)
Shutter Type	Global Shutter
Chromaticity	Mono / Color
Max Frame Rate	2.3Mp/12bit: 120 fps 720p/12bit: 120 fps
Chief Ray Angle	28°
Input Clock Range	6 - 64 MHz (Default 48MHz)
Bit Depths	8 / 10 / 12 bit
Color Forma	YUV422, RGB888, RAW8, RAW10, RAW12

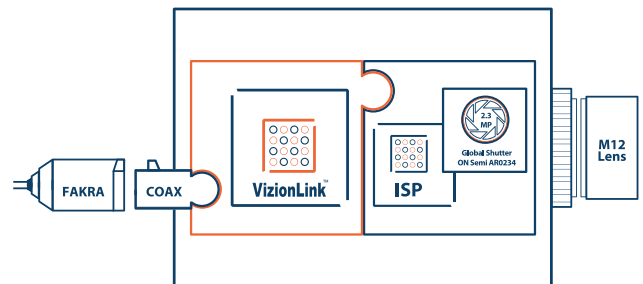
Interface

Data Transmission	MIPI CSI-2, up to 4 lanes
Communication Interface	I ² C
System	FPD-LINK III
Connector	FAKRA SMB Jack_73403507 connector

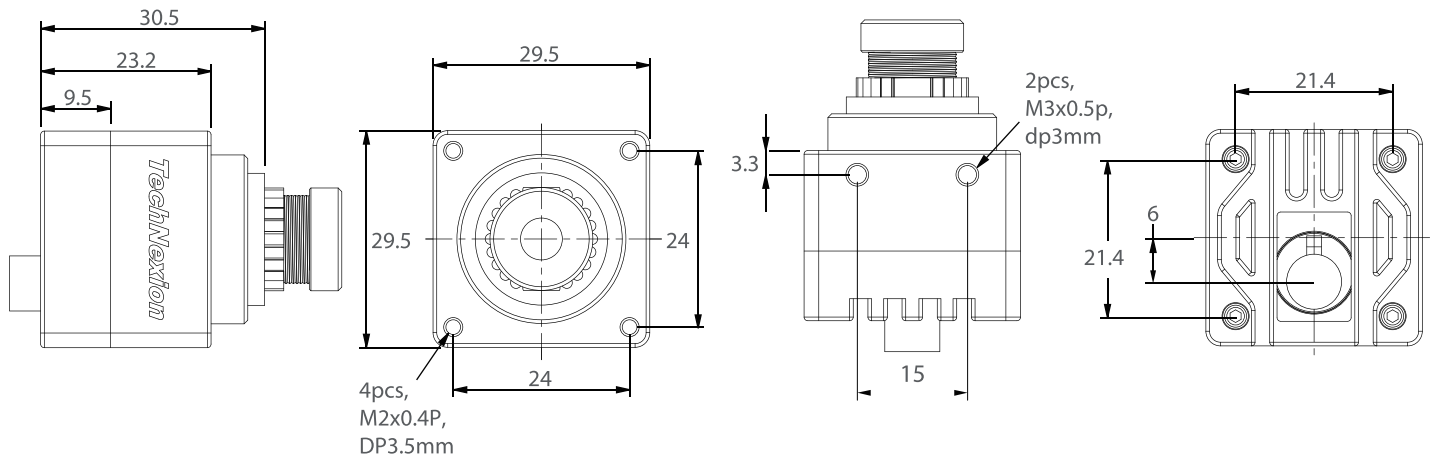
Spectral Characteristics



Block Diagram



Dimensions (units in mm)



Environmental and Mechanical

L x W x H	29.5 x 29.5 x 30.5 (Housing) mm
Mass	<50g
Operating Temperature	-40° ~ 85°C
Storage Temperature	-40° ~ 125°C
Ambient Humidity	10% to 90% RH

Certification and Compliance

Certification	Compliant with CE / FCC / RoHS / REACH directives
---------------	---

Power

Supply Voltage	Power: 12V
----------------	------------

ISP Function

- Auto Exposure
- Auto Gain
- Gamma
- Auto White Balance (Color Model)
- Color Calibration

Order Information

VIZIONLINK-AR0234

Holder / Frame	S Mount
Lens	Y

Lens Information

TEVSL04096030

Focus Length	3.9 mm
F/No.	2.8
FOV (Diagonal)	82°
TTL	22 mm
Range	30 cm to Infinity

*TechNexion could provide the suitable lens base on customer demand