

VIZIONCAM-AR0144

ORDER PICK TIME

12:50



- Monochrome or Color Models, up to 2 lanes MIPI CSI-2 interface.
- Global Shutter, 60 fps at 1 Megapixel.
- Solution with Image Signal Processing function, tie in UVC USB3.0 Type C connector.
- Enable to embed on the device with windows system.
- Support embedded the application in Barcode Scanning, 3D Scanning, Virtual/Augmented Reality, Positional Tracking, Gesture Recognition, Machine Vision, Biometric Scanning.

Out of stock

12:00 AM

Specifications

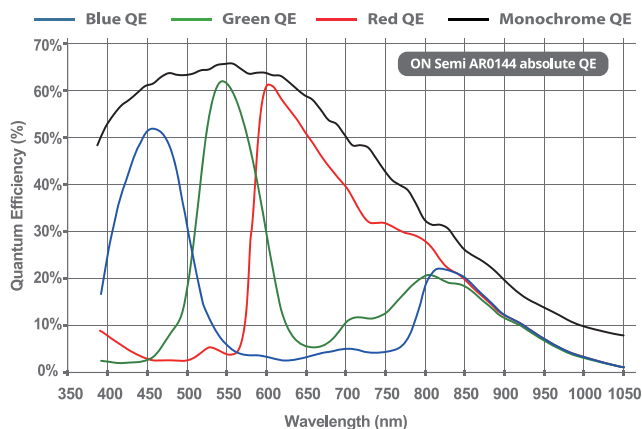
Sensor Information

CMOS Sensor	ON Semi AR0144
Active Pixels	1280 (H) x 800 (V)
Pixel Size	3.0 μm x 3.0 μm
Optical Format	1/4" (Diagonal 4.5 mm)
Shutter Type	Global Shutter
Chromaticity	Mono / Color
Max Frame Rate	1Mp/12bit: 60 fps 720p/12bit: 66 fps
Chief Ray Angle	20°
Input Clock Range	6 - 48 MHz (Default 48MHz)
Bit Depths	8 / 10 / 12 bit
Color Format	YUV422, RGB888, RAW8, RAW10, RAW12

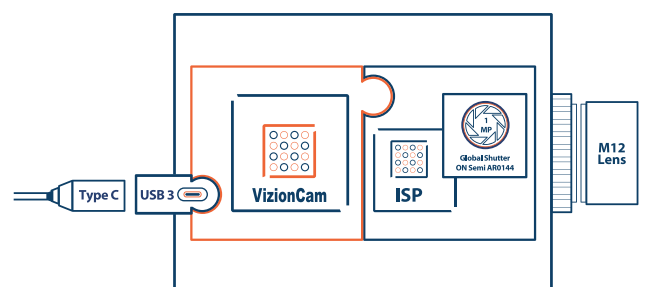
Interface

Data Transmission	MIPI CSI-2, up to 2 lanes
Communication Interface	I ² C
Connector	USB3.0 Type C

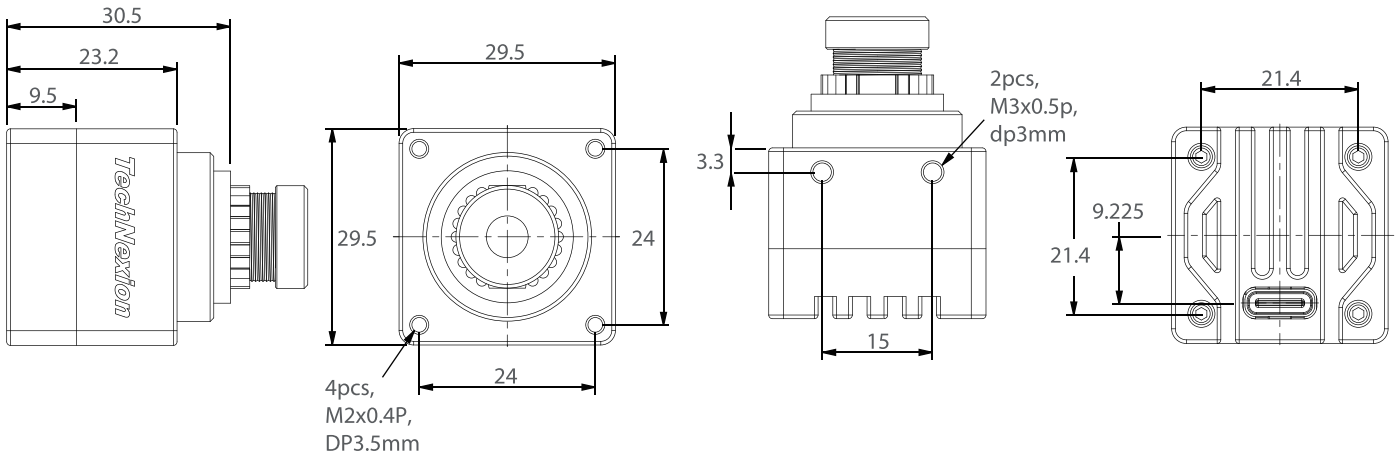
Spectral Characteristics



Block Diagram



Dimensions (units in mm)



Environmental and Mechanical

L x W x H	29.5 x 29.5 x 30.5 (Housing) mm
Mass	<50g
Operating Temperature	-40° ~ 85°C
Storage Temperature	-40° ~ 150°C
Ambient Humidity	10% to 90% RH

Certification and Compliance

Certification	Compliant with CE / FCC / RoHS / REACH directives
---------------	---

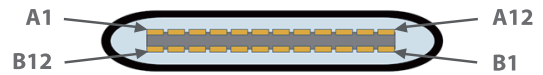
Power

Supply Voltage	5V
----------------	----

ISP Function

- Auto Exposure
- Auto Gain
- Gamma
- Auto White Balance (Color Model)
- Color Calibration

Connector Pin Definition



A1	GND	B12	GND
A2	TXP1	B11	RXP1
A3	TXN1	B10	RXN1
A4	VBUS1	B9	VBUS3
A5	CC1	B8	SBU2
A6	DP1	B7	DN2
A7	DN1	B6	DP2
A8	SBU1	B5	CC2
A9	VBUS2	B4	VBUS4
A10	RXN2	B3	TXN2
A11	RXP2	B2	TXP2
A12	GND	B1	GND

Order Information

VIZIONCAM-AR0144

Holder / Frame	S Mount
Lens	Y

Lens Information

TEVSL04096030

Focus Length	3.9 mm
F/No.	2.8
FOV (Diagonal)	82°
TTL	22 mm
Range	30 cm to Infinity

*TechNexion could provide the suitable lens base on customer demand