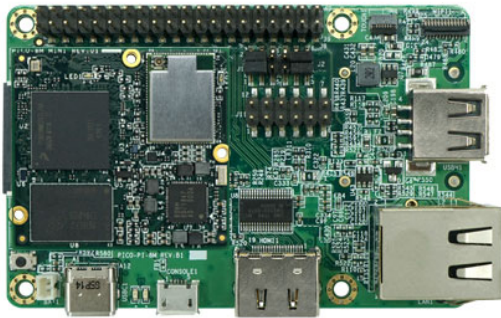


PICO-PI-IMX8M-MINI



Main Features

- TechNexion PICO-PI-IMX8M-MINI evaluation kit blends advanced processing capabilities with sophisticated audio, video, and graphics to deliver low-power and high-performing solutions for embedded consumer and industrial applications.
- Featuring NXP i.MX8M Mini Quad processor that runs up to 1.8GHz per core, based on the ARM Cortex A-53 + M4 architecture, delivered in advanced low-power process.
- Your design can leverage the latest video processing and voice control capabilities.
- Software source code at your fingertips: Android, Linux, Yocto and Ubuntu.



Specifications

Core System

Processor	NXP i.MX8M Mini Quad
Processor Speed	1.8GHz
Architecture	ARM Cortex-A53 + M4
PMIC	ROHM BD71847
Memory	up to 4GB LPDDR4
Storage	16GB eMMC
Board-to-Board Connector	PICO 70-pin Hirose connectors
System on Module	PICO SOM
Debug Interface	Micro USB debug

Connectivity

Network LAN	1x Atheros AR8031 Gigabit LAN
Wi-Fi/Bluetooth	Qualcomm QCA9377 (optional) 802.11 a/b/g/n/ac + BT 5 (BR+EDR+BLE)
Antenna	MHF4 connector (optional)

Internal Headers

Internal Display	MIPI CSI+DSI signals on FPC connectors
------------------	--

Expansion Headers

GPIO
I²C
I²S
PWM
SPI
UART

External Connectors

Network	1x RJ45
USB	1x USB 2.0 Host 1x USB 2.0 OTG (Type-C)
Buttons	1x Reset

Video

Graphic Engine	Vivante GC Nano Ultra
Video Decode	1080p60 H.264
Video Encode	1080p60 H.264
Camera	MIPI CSI (4 lanes)

Audio

Audio Interface	I ² S (2 channel)
-----------------	------------------------------

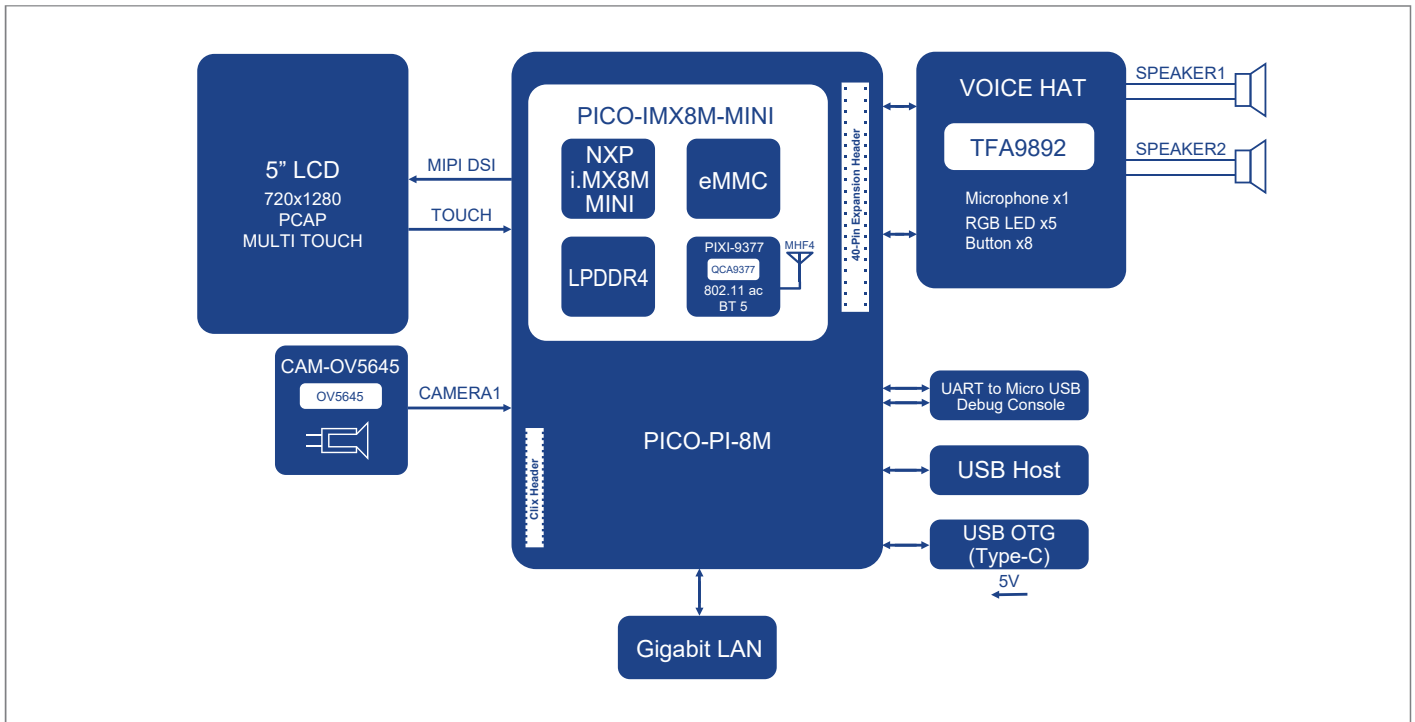
Power Specifications

Power Input	5V DC +/-5%
Power Consumption	Depending on Configuration

Operation Systems

Standard Support	Linux Yocto Ubuntu Android
------------------	-------------------------------------

Block Diagram



Environmental and Mechanical

Dimensions	85 (W) x 56 (H) x 19 (D) mm
Weight	50 grams
Temperature	Commercial: 0° to +50° C
Relative Humidity	10 to 90 %
MTBF	50 000 Hours
Shock	15G half-sine 11 ms duration
Vibration	1 Grms random 5-500Hz hr/axis
Certification	Compliant with CE / FCC / RoHS / REACH directives

Ordering Information

PICO-PI-IMX8M-MINI-1G-DEV

NXP i.MX8M Mini Quad Development Board with 1GB LPDDR4, 16GB eMMC and Wi-Fi + BT wireless connectivity including antenna, VOICEHAT kit, camera module, 5 inch PCAP display, cable set and cardboard stand.



PICO-PI-IMX8M-MINI-2G-DEV

NXP i.MX8M Mini Quad Development Board with 2GB LPDDR4, 16GB eMMC and Wi-Fi + BT wireless connectivity including antenna, VOICEHAT kit, camera module, 5 inch PCAP display, cable set and cardboard stand.



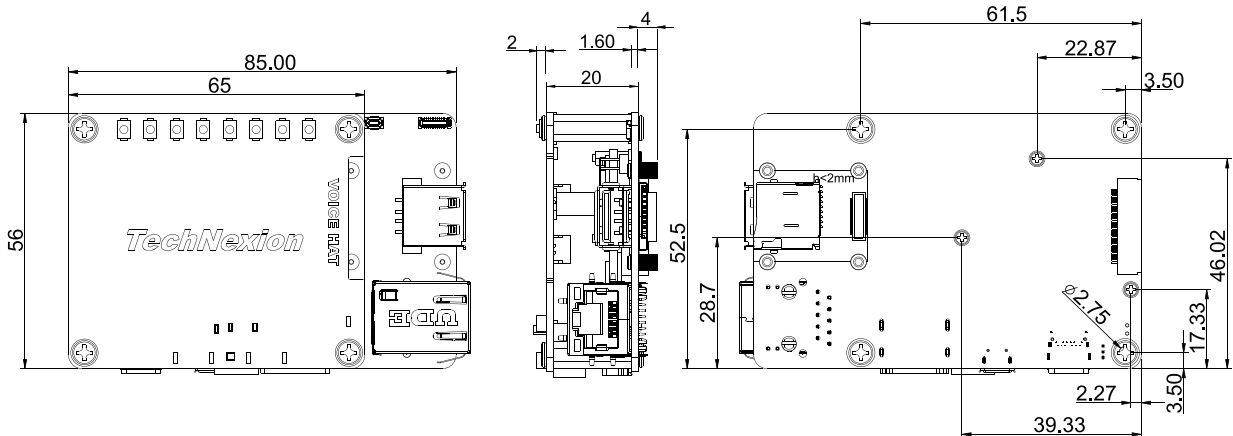
PICO-PI-IMX8M-MINI-4G-DEV

NXP i.MX8M Mini Quad Development Board with 4GB LPDDR4, 16GB eMMC and Wi-Fi + BT wireless connectivity including antenna, VOICEHAT kit, camera module, 5 inch PCAP display, cable set and cardboard stand.



Dimensions

(units in mm)



2019-07-25 All specifications are subject to change without notice.