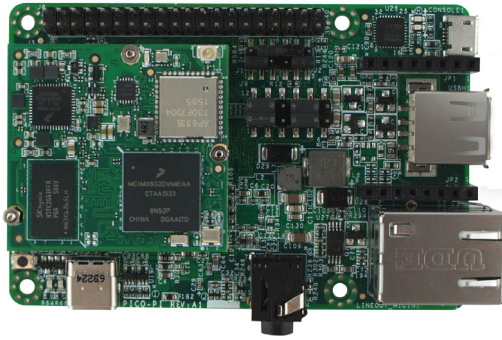


# PICO-PI-IMX6UL/ULL



## Main Features

- PICO-PI-IMX6UL/ULL is a performance, ultra-efficient system specially designed for IoT applications.
- TechNexion PICO-PI-IMXUL/ULL platform can be applied in a wide range of applications ranging from simple IoT devices to applications with significant level of complexity.
- This developer kit has been qualified and tested by Google to run Android Things at optimal performance.



yocto  
PROJECT

## Specifications

### Core System

Processor	NXP i.MX6 UL/ULL
Architecture	ARM Cortex-A7
PMIC	NXP PF3000
Memory	512MB DDR3L
Storage	eMMC (4GB Default)
Board-to-Board Connector	Edison compatible connector PICO 70-pin Hirose connectors
Debug Interface	Micro USB debug

### Connectivity

Network LAN	Micrel KSZ8081RNBCA Fast Ethernet LAN
WiFi/Bluetooth	Broadcom BCM43438 802.11 b/g/n + BT 4.1 (BR+EDR+BLE)
Antenna	u.FL connector (optional)

### Internal Headers

Internal Display	1x 24-bit TTL RGB signals (expansion header)
Expansion Headers	GPIO I <sup>2</sup> C I <sup>2</sup> S PWM SPI USB
MikroBUS	ADC GPIO I <sup>2</sup> C PWM SPI UART

### External Connectors

Audio Connectors	CTIA compliant 3.5mm audio jack
Network	1x RJ45
USB	1x USB 2.0 Host 1x USB 2.0 OTG (Type-C)
Buttons	1x Reset

### Video

Graphic Engine	Image re-sizing / rotation / overlay and CSC Pixel Processing Pipeline
----------------	---

### Audio

Audio Codec Audio Interface	NXP SGT5000 I <sup>2</sup> S (1 channel)
--------------------------------	---

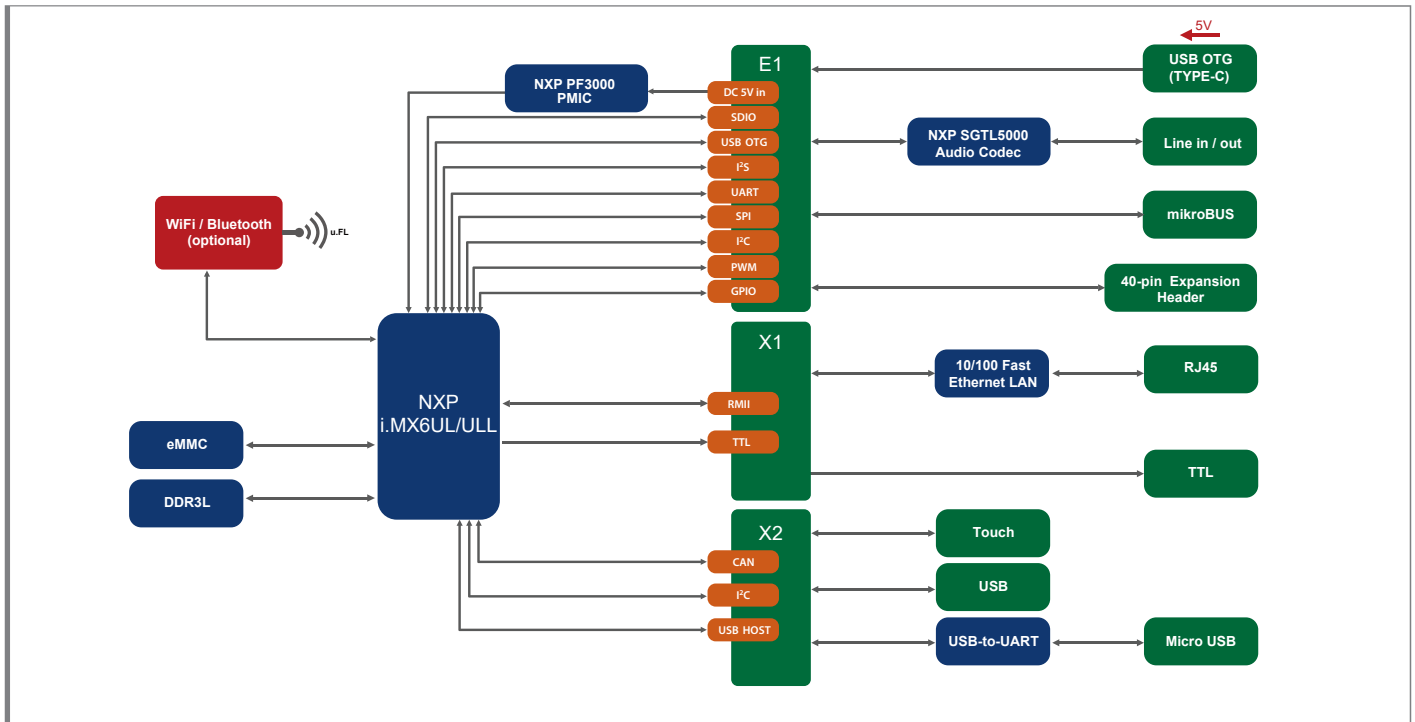
### Power Specifications

Power Input	5V DC +/-5%
Power Connector	USB OTG (Type-C)
Power Consumption	Depending on Configuration

### Operation Systems

Standard Support	Linux Yocto
Extended Support	Commercial Linux

## Block Diagram



### Environmental and Mechanical

Dimensions	85.6 x 56.5 x 17.5 mm
Weight	43 grams
Temperature	Commercial: 0° to +60° C
Relative Humidity	10 to 90 %
MTBF	>100 000 Hours
Shock	50G/25ms
Vibration	20G/0-600Hz
Certification	Compliant with CE / FCC / RoHS / REACH directives

### Ordering Information

PICO-PI-IMX6UL  
 Android Things Development Board based around NXP i.MX6UltraLite applications processor.



\* Feel free to contact us for customization requests.

### Dimensions

(units in mm)

