

PICO-IMX6ULL



- The PICO-IMX6ULL is a cost-optimized System on Module (SOM) focusing on general industrial applications based on an NXP i.MX6UL / ULL core Cortex-A7™ processor clocking up to 900MHz.
- The PICO-IMX6ULL operates in commercial and industrial temperature ranges from -40 to 85°C. The PICO-IMX6ULL System-on-Module offers a rich arsenal of interfaces such as RMII, USB/USB OTG, I²S, CAN, UART, SPI, I²C, PWM, GPIO for sensors and RGB TTL 24-bit display.
- The PICO-IMX6ULL is a member of the TechNexion “PICO pin-to-pin” product family, providing scalable solutions for compact and mobile embedded systems demanding low-power consumption.
- Accelerate your time-to-market and reduce development costs with TechNexion pre-certified FCC / IC / CE / RCM / TELEC dual-band Wi-Fi 802.11 ac/a/b/g/n, Bluetooth.
- Linux and Yocto runtime images and full source code available.

Specifications



yocto
PROJECT

Core System

Processor	NXP i.MX6 UltraLite NXP i.MX6 ULL
Processor speed	up to 900MHz
Architecture	ARM Cortex-A7
PMIC	NXP PF3000
Memory	up to 1GB DDR3L
Storage	eMMC (4GB Default)
Board-to-Board Connector	Edison compatible connector PICO 70-pin Hirose connectors
System on Module	PICO SOM

Connectivity

Network LAN	RMII
Wi-Fi/Bluetooth	Qualcomm QCA9377
Antenna	802.11 a/b/g/n/ac + BT (BR+EDR+BLE) MHF4 connector

Signaling

I/O	RGB TTL	UART
	RMII	SPI
	USB	I ² C
	USB OTG	PWM
	I ² S	GPIO
	CAN	

Video

Graphic Engine	Image re-sizing / rotation / overlay and CSC Pixel Processing Pipeline
----------------	---

Audio

Audio Codec	On carrier board
Audio Interface	I ² S (1 channel)

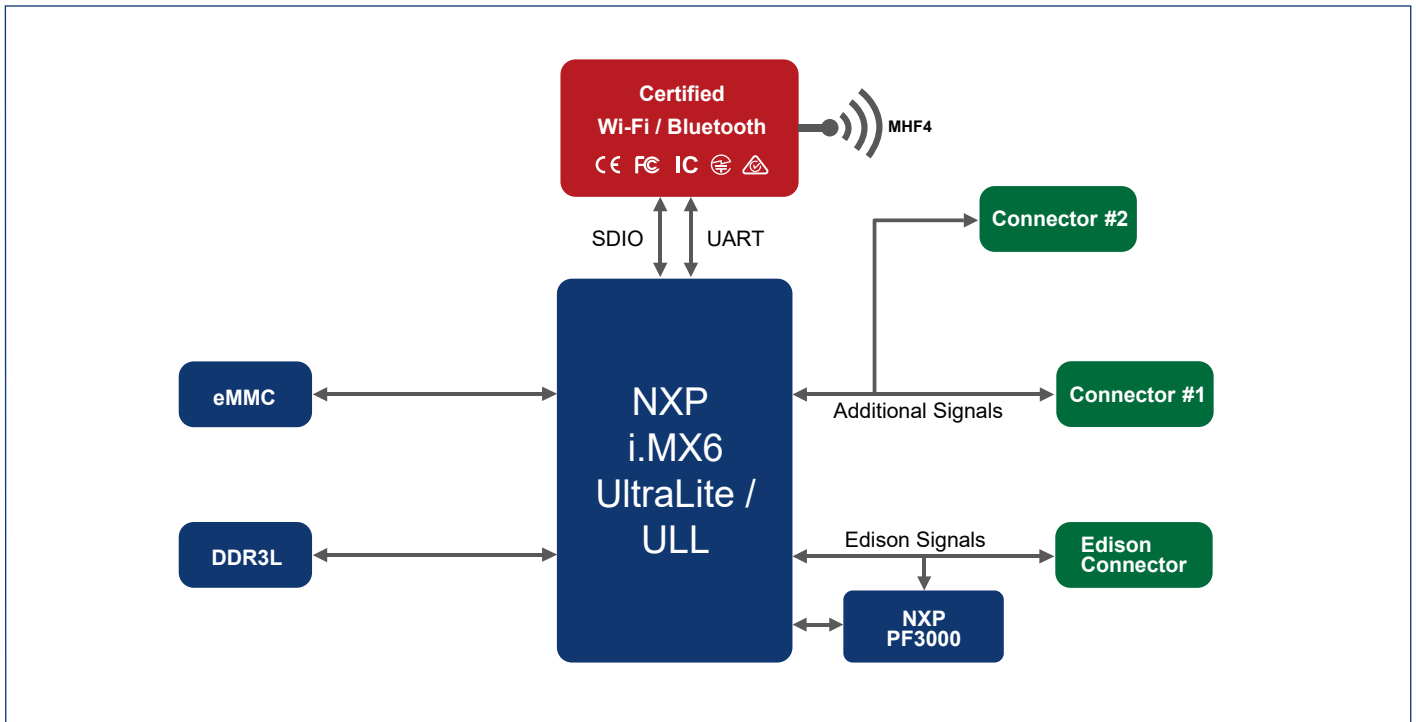
Operation Systems

Standard Support	Linux Yocto
Extended Support	Commercial Linux

Certification and Compliance

USA	FCC ID: 2AKZA-QCA9377
Canada	IC: 22364-QCA9377
Japan	TELEC: 201-180629
European Union	EN 55032 / EN 55024 EN 300 328 v2.2.2 EN 301 893 v2.1.1
Australia/New Zealand	RCM
Bluetooth Logo	QDID150839 (Bluetooth 4.2)
Certification	Compliant with RoHS / REACH directives

Block Diagram



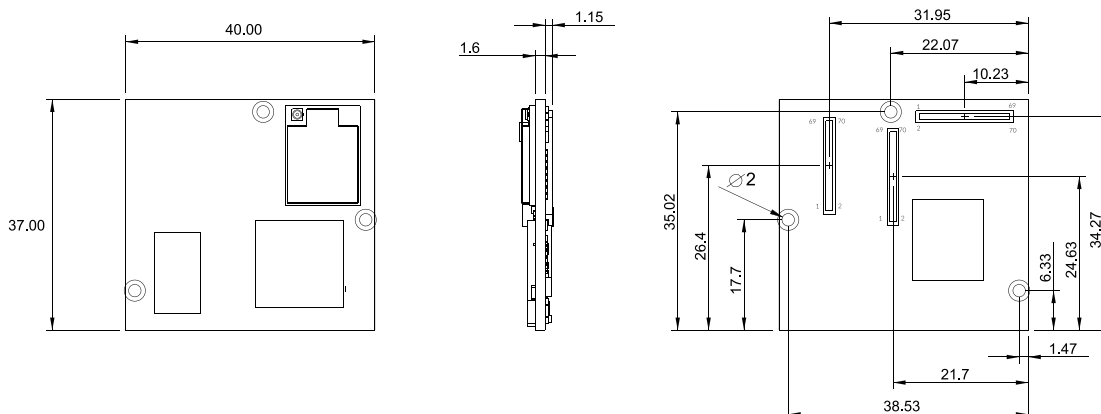
Environmental and Mechanical

Dimensions	37 x 40 mm / 1 5/8 x 1 5/8 inch
Form Factor	PICO Compute Module
Weight	8 grams
Temperature	Commercial: 0° to +60°C Extended: -20° to +70°C Industrial: -40° to +85°C
Relative Humidity	10 to 90 %
MTBF	>100 000 Hours
Shock	50G/25ms
Vibration	20G/0-600Hz

Power Specifications

Power Input	4.25-5.25 VDC
Power Consumption	Depending on Configuration

Dimensions
(units in mm)



Order Information :

PICO-IMX6xx-xx-Rxx-Exx-xxxx-xx-xxxx

	Code	Description
Processor	IMX6G2	NXP i.MX6UltraLite
	IMX6Y2	NXP i.MX6ULL
Processor speed	05	528MHz
	09	900MHz
Memory	R02	256MB DDR3L
	R05	512MB DDR3L
	R10	1GB DDR3L
Storage	E04	eMMC 4GB
	E08	eMMC 8GB
	EXX	eMMC other capacity
Wi-Fi / Bluetooth	9377	Qualcomm QCA9377 802.11a/b/g/n/ac (2.4 + 5GHz) + Bluetooth
Temperature Range	-	Commercial Temperature range (0° to +60°C)(Default)
	TI	Industrial Temperature range (-40° to +85°C)
Custom ID	XXXX	Custom Part number ID for customized software loader and special component (BOM)