

PICO-PI-8M REV:B1

L=8, 85 x 56mm

PAGE TITLE

P01 INDEX

P02 BOARD TO BOARD

P03 DC-DC & CLIX

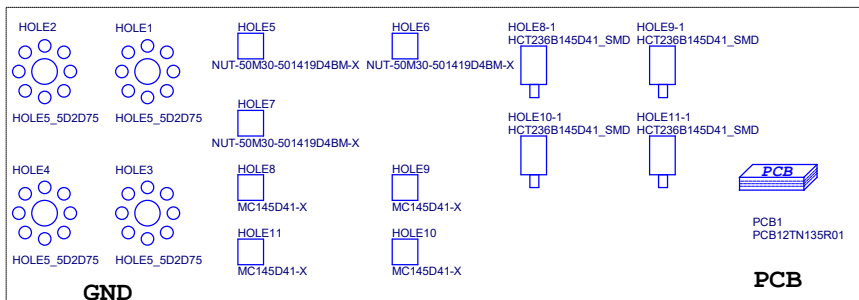
P04 M-SD & CONSOLE

P05 ETHERNET

P06 TYPE C USB

P07 HDMI & MIPI

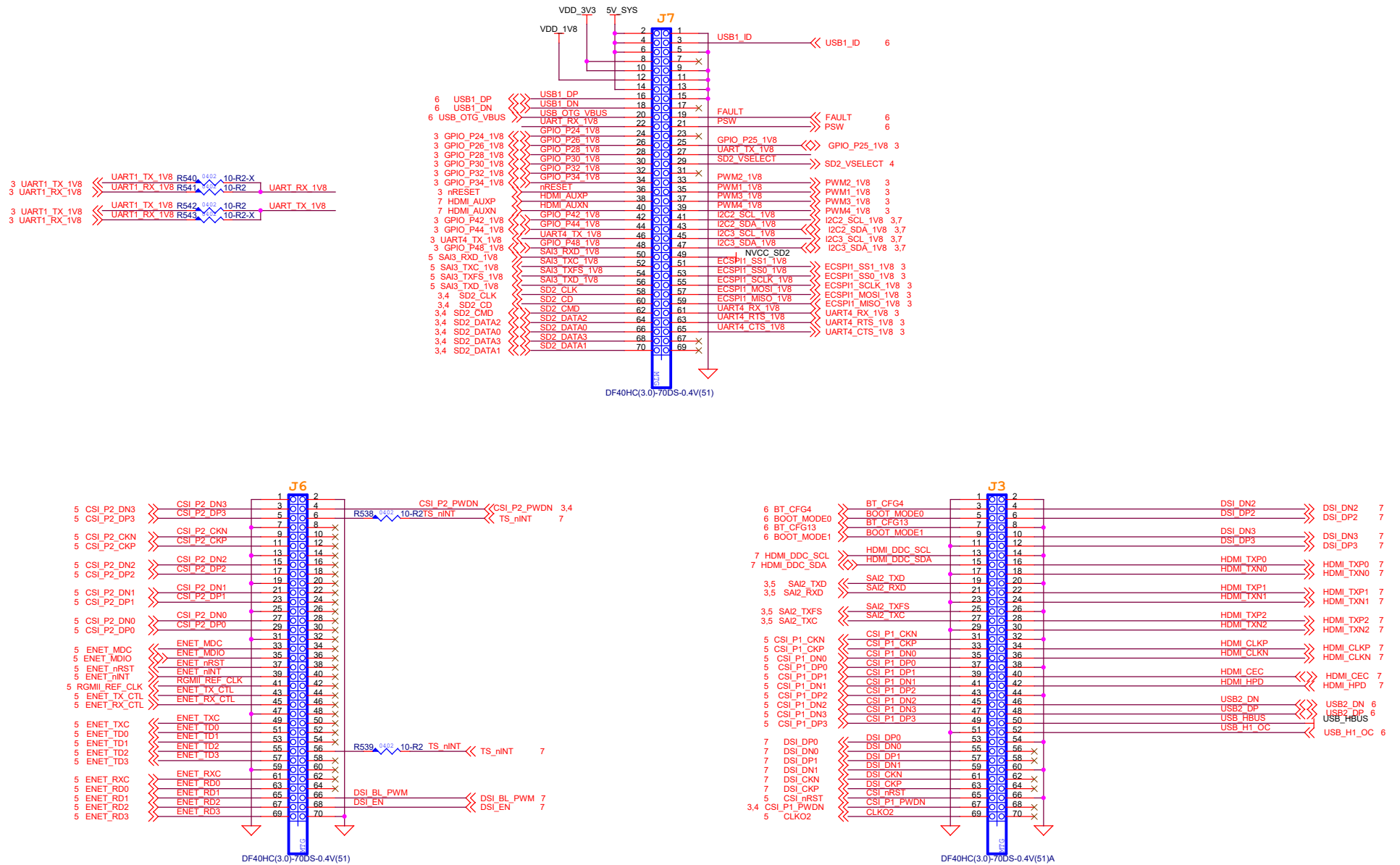
FM3 FM40S-X FM2 FM40S-X FM1 FM40S-X FM4 FM40S-X FM5 FM40S-X FM6 FM40S-X



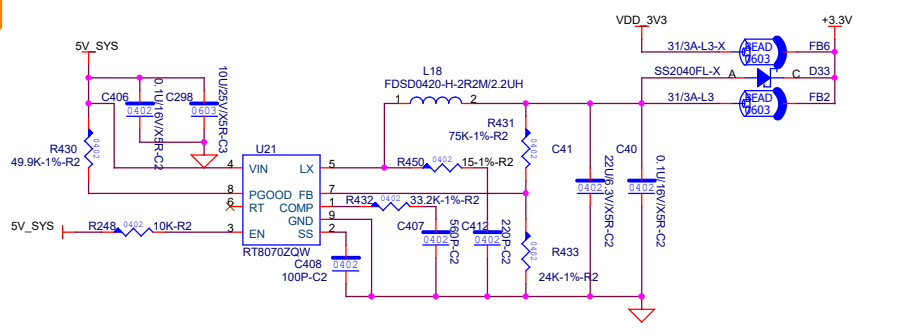
Components marked -X are not populated (DNP)

TechNexion		
Title		
INDEX		
Size	Document Number	Rev
Custom	PICO-PI-8M	B1
Date:	Tuesday, December 08, 2020	Sheet 1 of 8

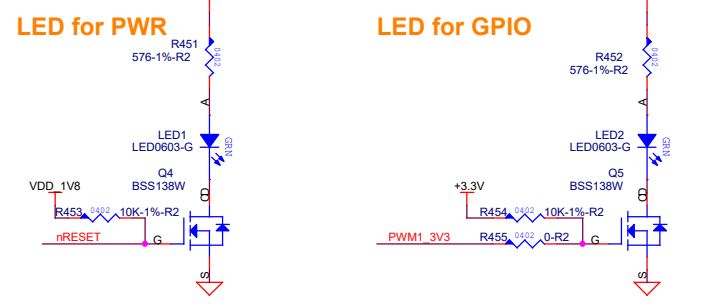
BOARD TO BOARD



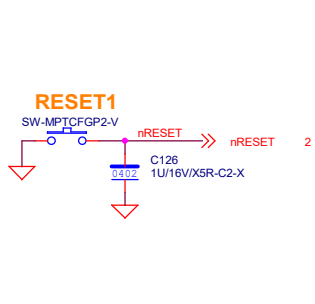
DC-DC



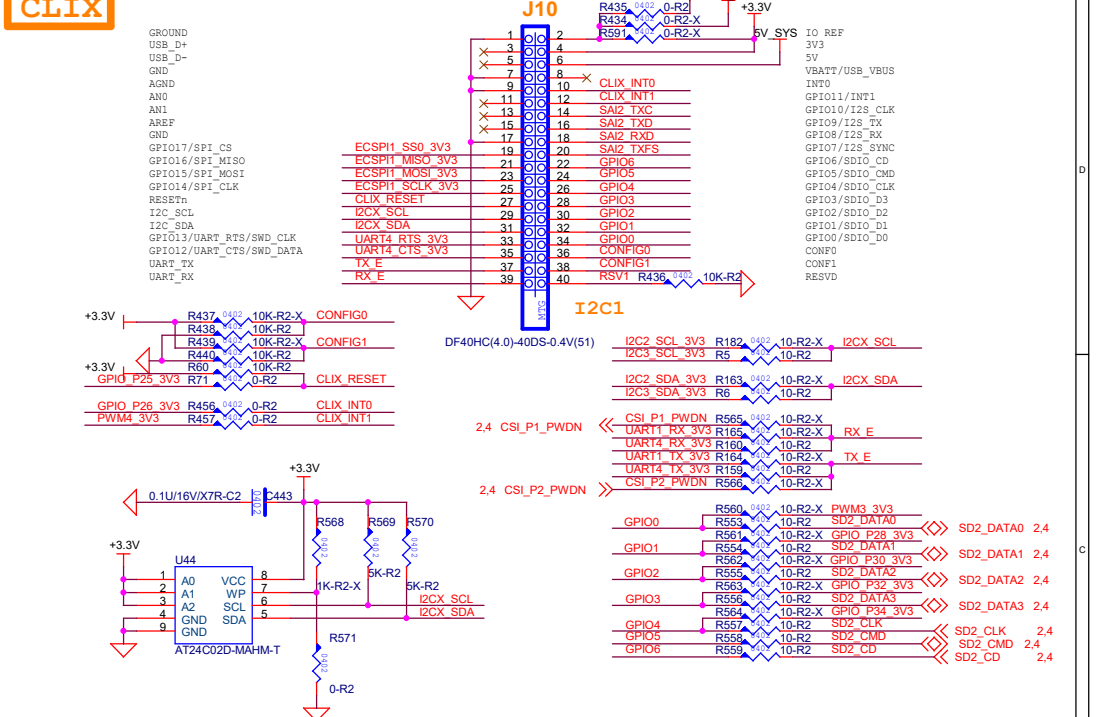
LED



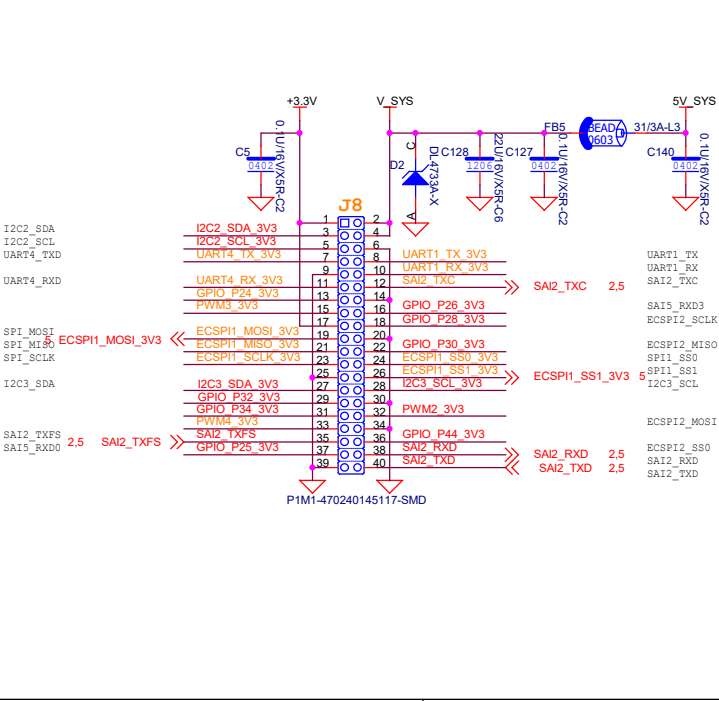
RESET



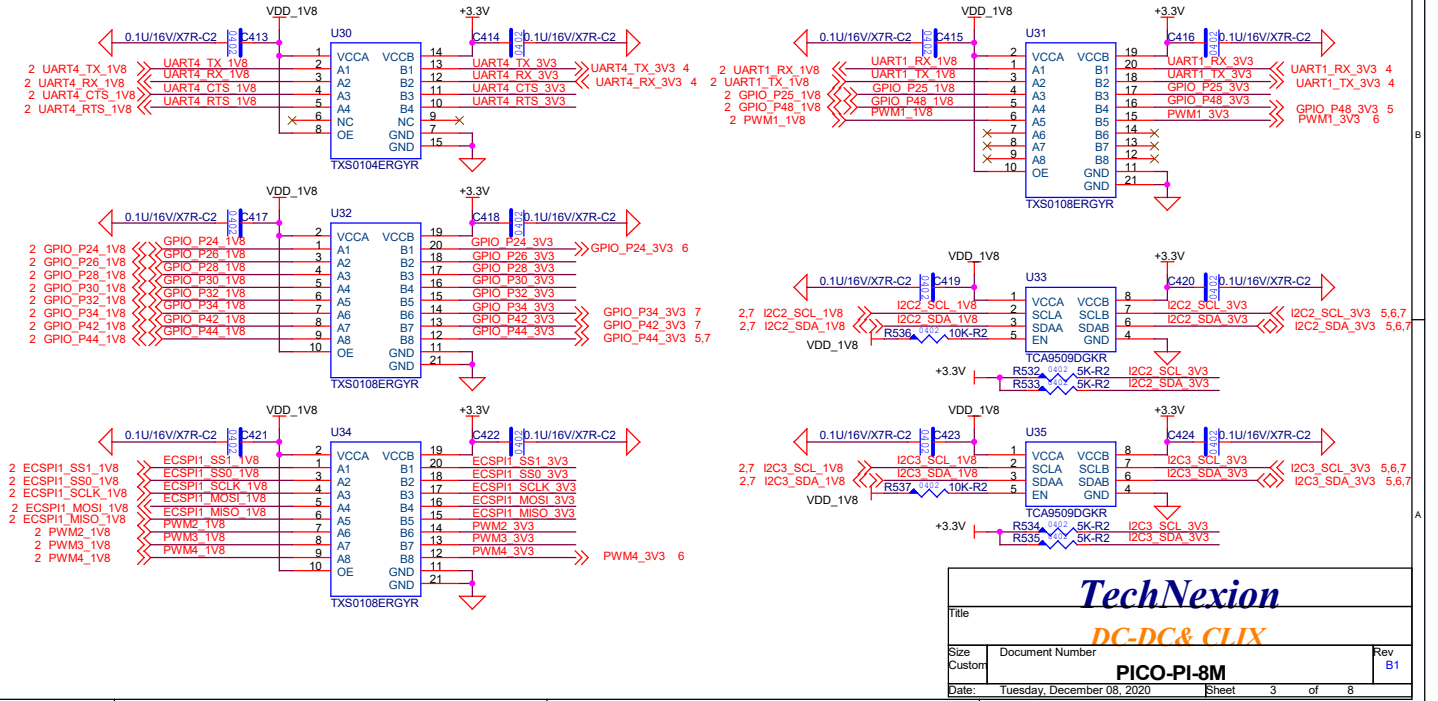
CLIX



EXPANSION IO



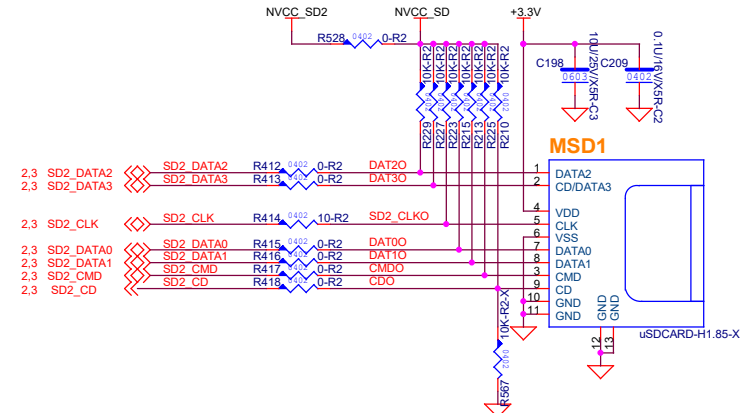
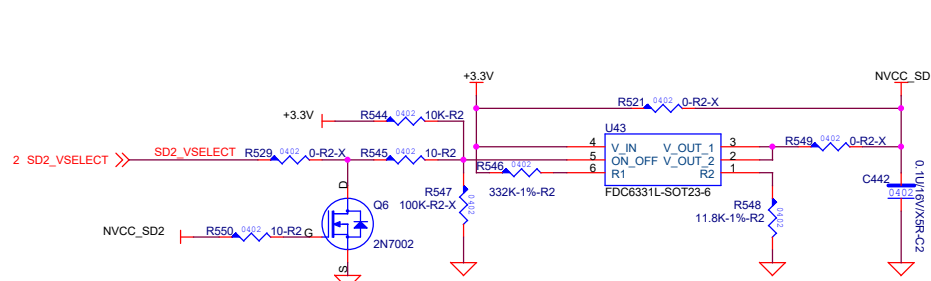
LEVEL SHIFT



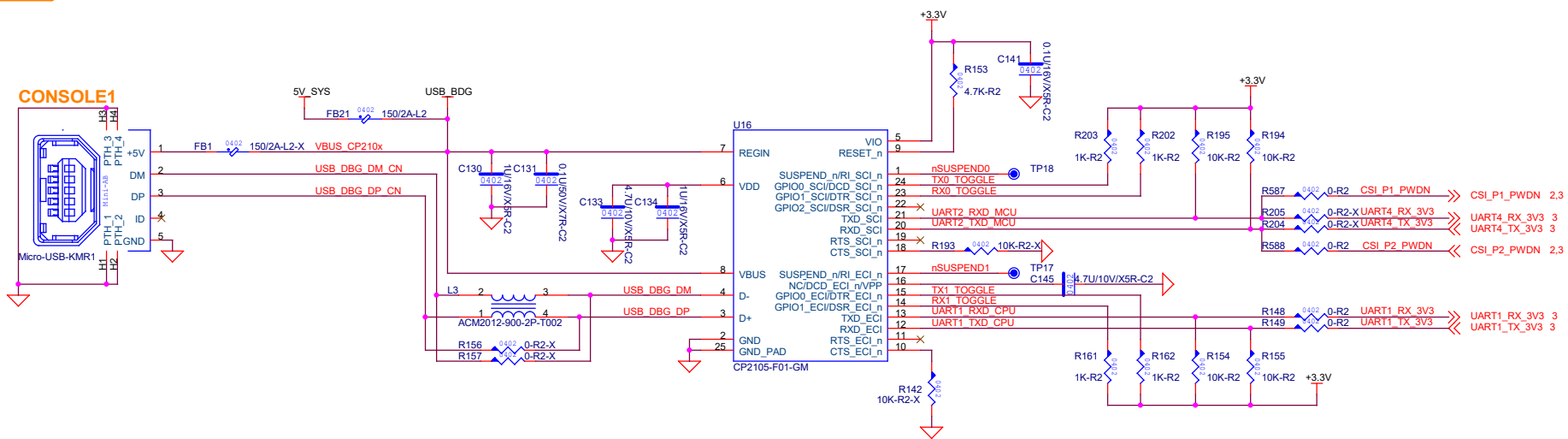
TechNexion
DC-DC & CLIX

Title		Rev B1	
Size Custom	Document Number	PICO-PI-8M	
Date:	Tuesday, December 08, 2020	Sheet	3 of 8

M-SD

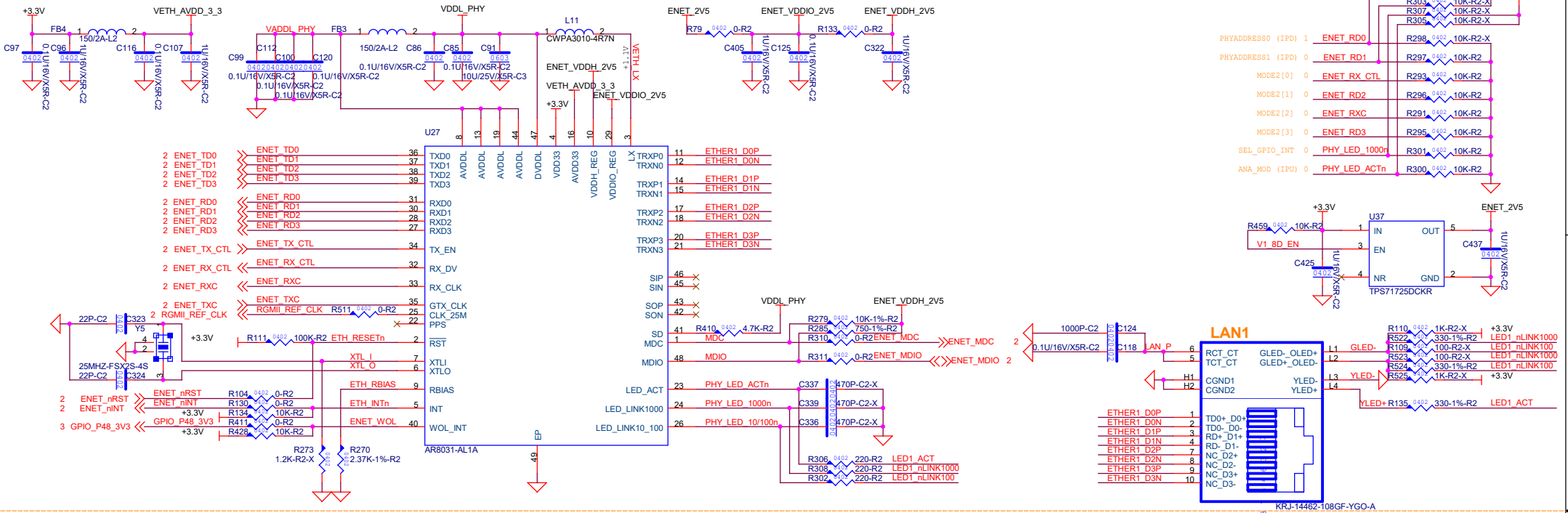


CONSOLE

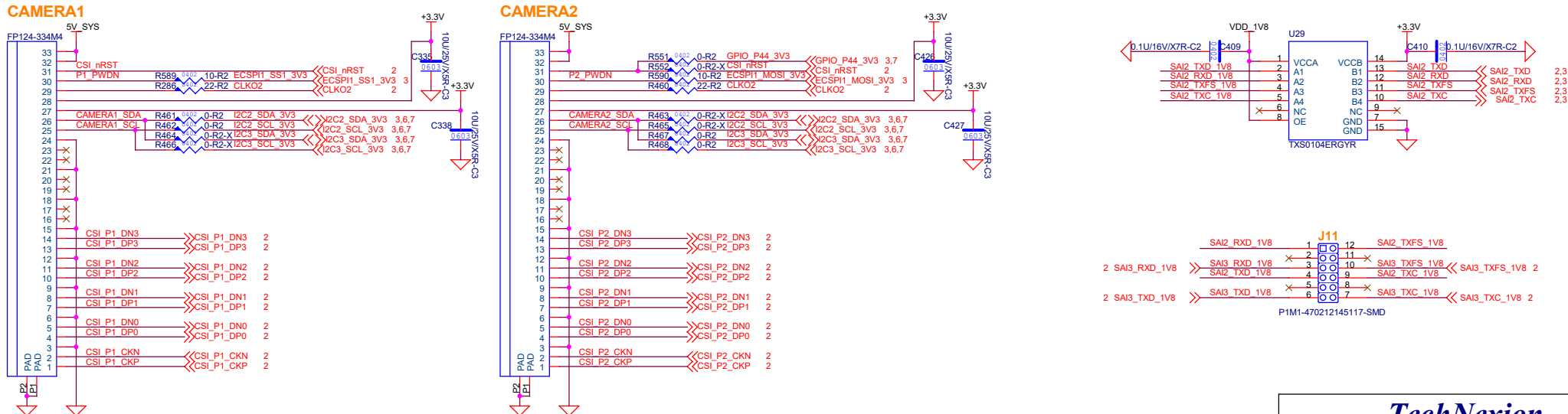


TechNexion		
M-SD & DEBUG		
Title		
Size	Document Number	Rev
Custom	PICO-PI-8M	B1
Date:	Tuesday, December 08, 2020	Sheet 4 of 8

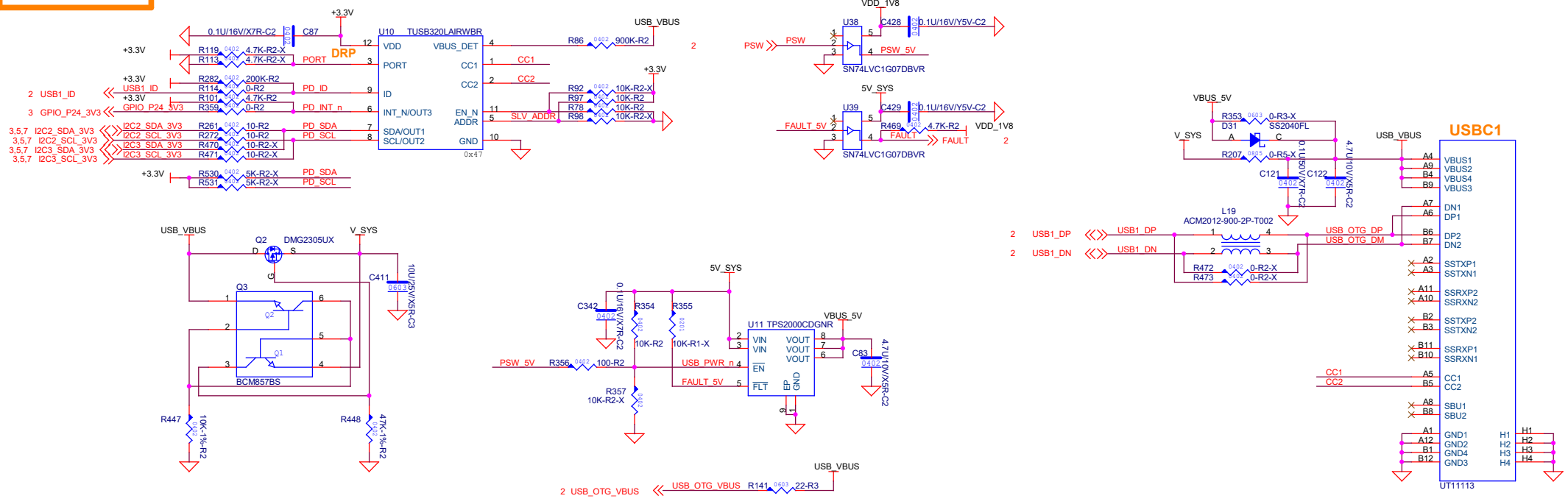
Ethernet



CAMERA



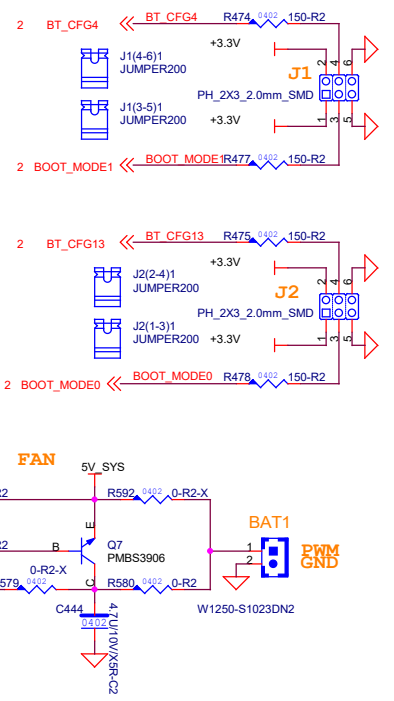
TYPE C USB



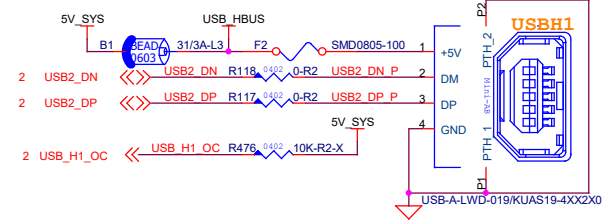
BOOT PIN HEADER

PICO IMX8 BOOT Jumper Settings

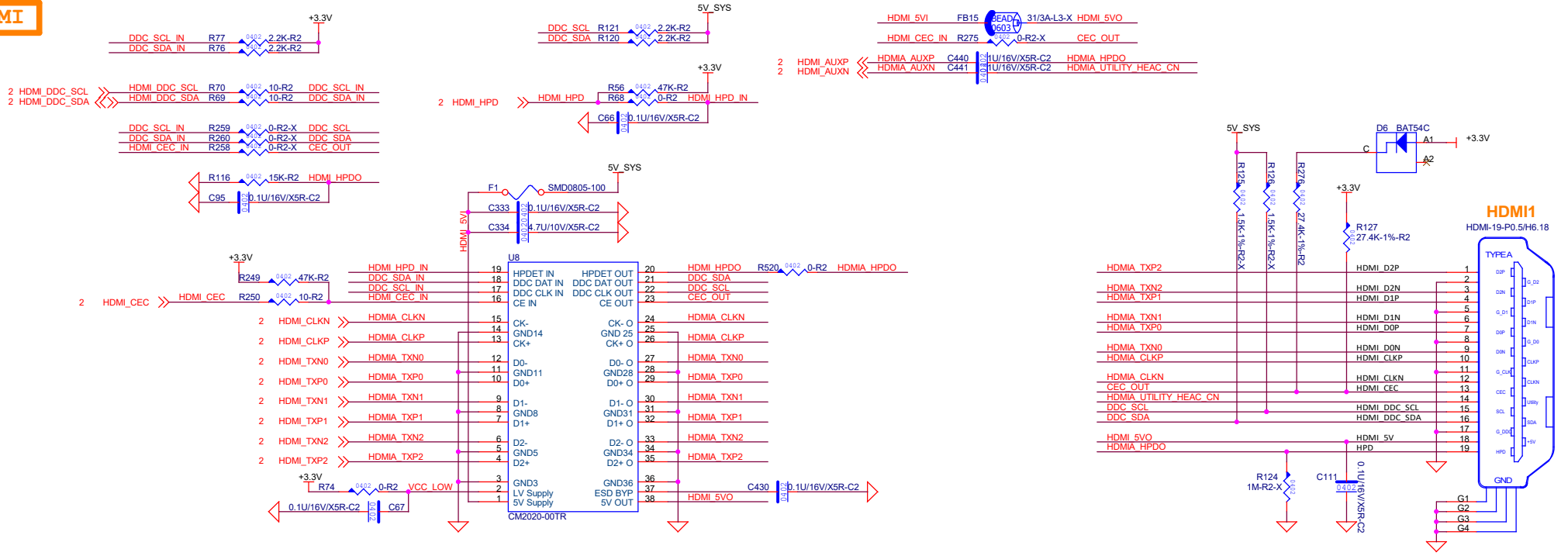
	J1	J2
SD (Baseboard)	2-4	4-6
eMMC	4-6	2-4
Serial Downloader	3-5	1-3



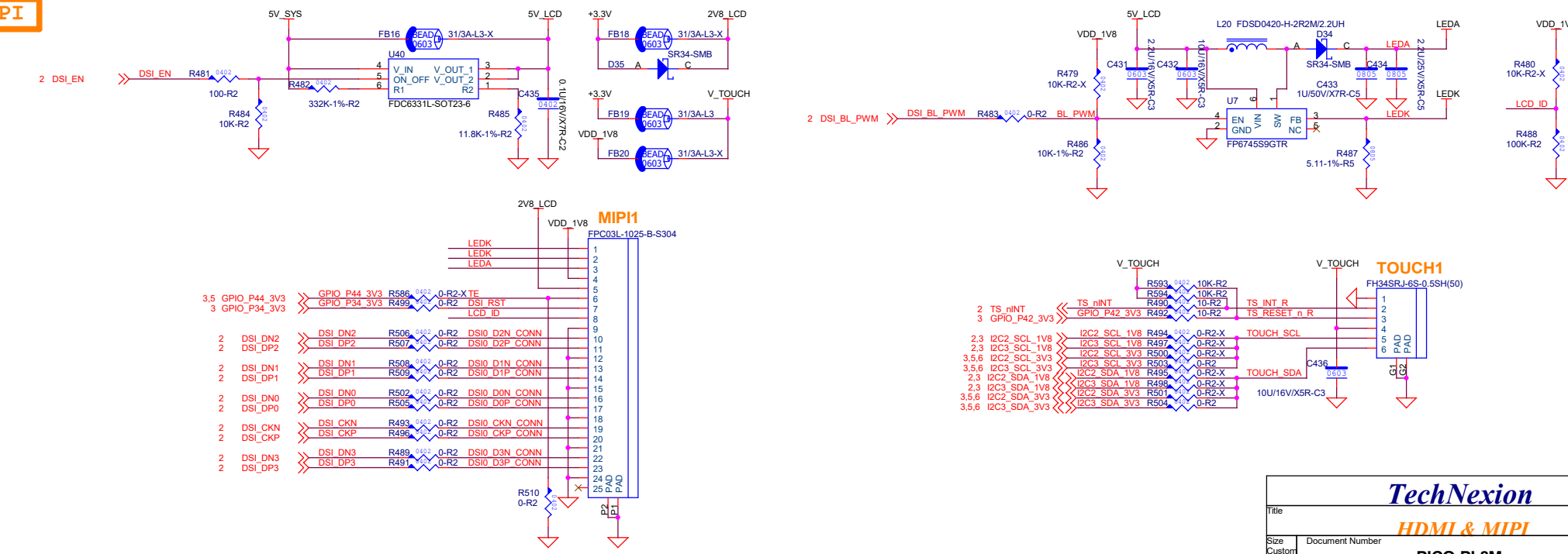
USB HOST



HDMI



MIPI



TechNexion

HDMI & MIPI

Title		Rev
Document Number		B1
PICO-PI-8M		
Date:	Tuesday, December 08, 2020	Sheet 7 of 8

Revision History

Revision	Date	Change Description
A1	2018-06-01	First Release
B1	2018-09-15	Change MIPI connector

TechNexion		
Title		
REVISION HISTORY		
Size Custom	Document Number PICO-PI-8M	Rev B1
Date:	Tuesday, December 08, 2020	Sheet 8 of 8