

EDM-WIZARD-IMX8M



Main Features

- TechNexion EDM-WIZARD-IMX8M platform can be applied in a wide range of applications ranging from simple IoT devices to applications with high level of complexity.
- Featuring NXP i.MX8M Quad processor that runs up to 1.3GHz per core, based on the ARM Cortex A-53 + M4 architecture, delivered in advanced low-power process.
- Featuring video quality with full 4K UltraHD resolution and HDR.
- Software source code at your fingertips: Android, Linux and Yocto.



yocto
PROJECT



Specifications

Core System

Processor	NXP i.MX8M Quad
Processor Speed	1.3GHz
Architecture	ARM Cortex-A53 + M4
PMIC	ROHM BD71837
Memory	up to 4GB LPDDR4
Storage	16GB eMMC (default)
Board-to-Board Connector	EDM connector (314-pin MXM3)
System on Module	EDM SOM
Debug Interface	UART Interface by Through-hole

Connectivity

Network LAN	1x Atheros AR8035 Gigabit LAN
Wi-Fi/Bluetooth	Qualcomm QCA9377
Antenna	802.11 a/b/g/n/ac + BT (BR+EDR+BLE) MHF4 connector

Expansion Interfaces

Expansion Slots	1x M.2 slot 1x mini-PCIe
-----------------	-----------------------------

Internal Headers

Internal Display	MIPI DSI signals on 70-pin Hirose connector
Expansion Headers	GPIO I ² C I ² S PWM SPI UART

External Connectors

External Display	1x HDMI
Audio Connectors	1x 3.5mm jack Stereo Audio out
Network	1x RJ45
USB	1x USB 2.0 OTG (Type-C) 2x USB 3.0 Host
Buttons	1x Reset
SIM Cardslot	2x Micro-SIM cardslot

Video

Graphic Engine	Vivante GC7000Lite
Video Decode	4K UltraHD HDR 4Kp60 H.265 VP9
Video Encode	1080p120 H.264
Camera	MIPI CSI (4 lanes)

Audio

Audio Codec	Cirrus Logic WM8960
Audio Interface	I ² S (2 channel)

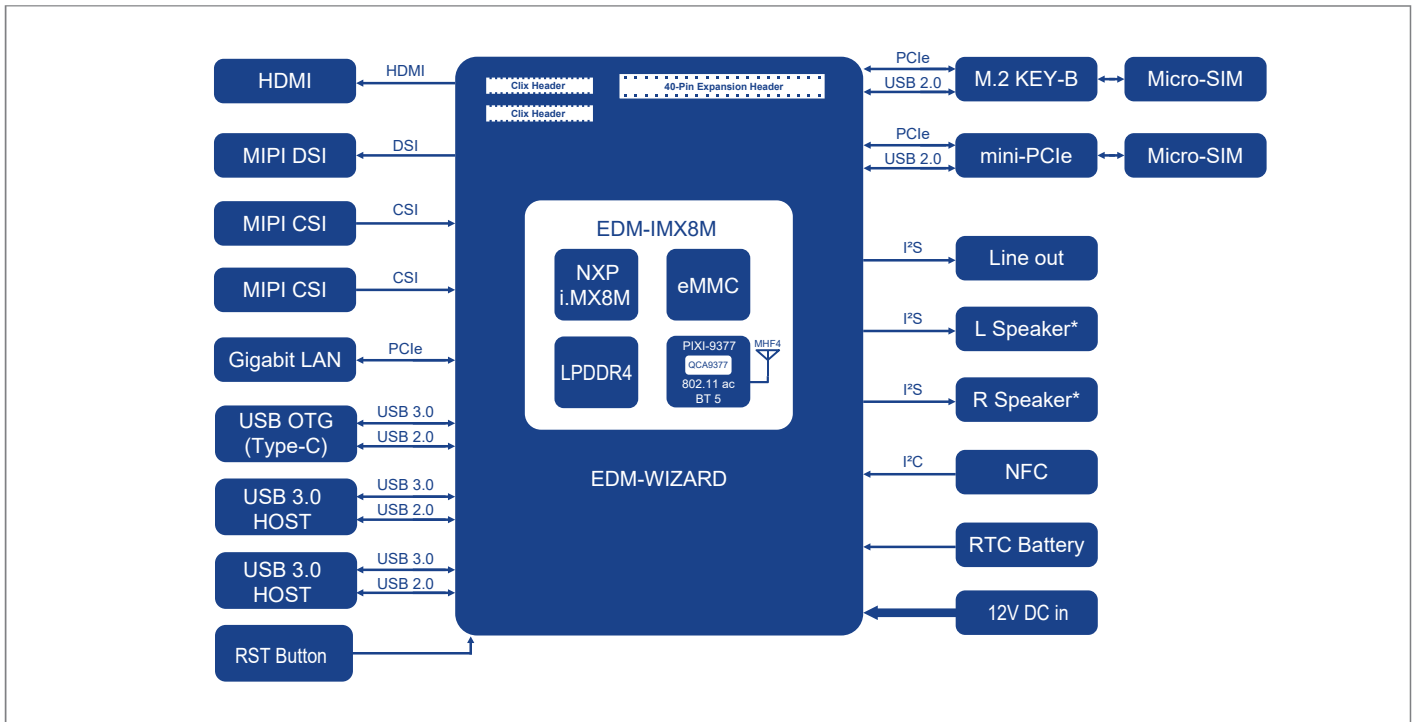
Power Specifications

Power Input	12V DC +/-5%
Power Connector	2-pin Micro-Fit 3.0
Power Consumption	Depending on Configuration

Operation Systems

Standard Support	Linux Yocto Android
------------------	---------------------------

Block Diagram



Environmental and Mechanical

Dimensions	170 (W) x 170 (H) x 26.8 (D) mm
Weight	240 grams
Operation Temperature	Commercial: 0° to +50° C
Relative Humidity	10 to 90 %
MTBF	50 000 Hours
Shock	15G half-sine 11 ms duration
Vibration	1 Grms random 5-500Hz hr/axis

Ordering Information

EDM-WIZARD-IMX8M

NXP i.MX8M Quad Development Board with up to 4GB LPDDR4, 16GB eMMC and Wi-Fi + BT wireless connectivity including MHF4 antenna, USB Type-C and UART debug cables, RTC battery, 2-pin Micro-Fit 3.0 DC power latch cable, stands and optional 5"/8"/10.1" PCAP Multi Touch LCD display, 5MP camera module, HDMI expander card or HDMI capture card.

Certification and Compliance

Certification	Compliant with CE / FCC / RoHS / REACH directives
---------------	---

